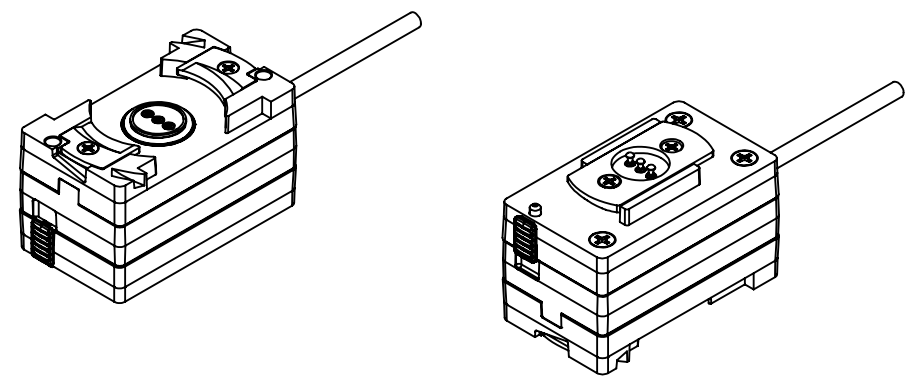
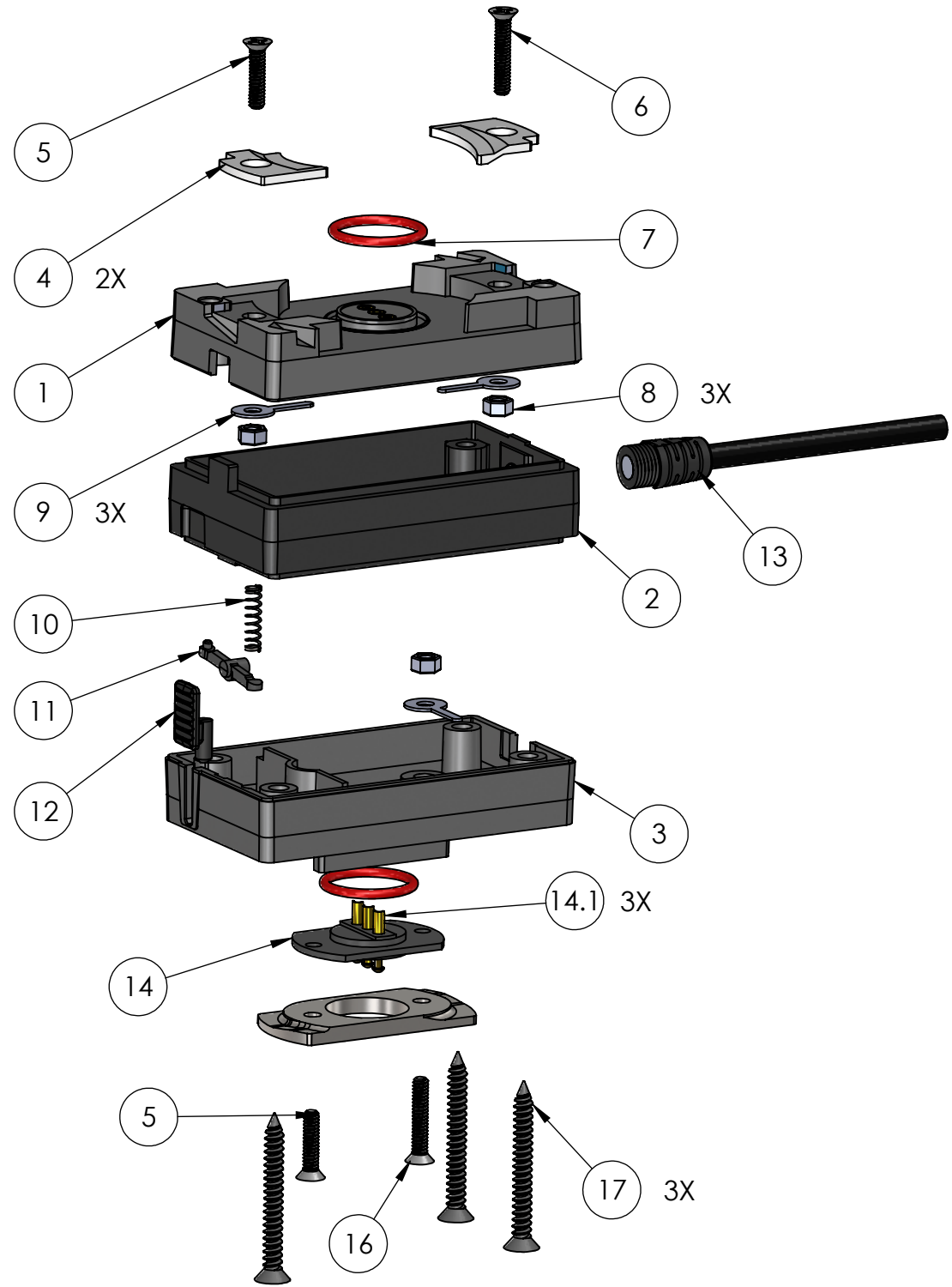


REVISIONS			
REV.	DESCRIPTION	DATE	ENG
D	UPDATED RING TERMINAL PIN. UPDATED ITEM NO. 13 DESCRIPTION	5/9/2023	MOB
E	ITEM NO. 14.1 ADDED TO BOM	11/17/2023	CWA



BILL OF MATERIALS			
ITEM NO.	PART NO.	QTY	NAME/DESCRIPTION
1	FE-411-02A2	1	CONN-MBITR CONNECTOR HOUSING
2	SN-1034-8MM	1	8MM THREADED SPACER, 2 TABS
3	1116-01-101-HOLES	1	MBITR BATTERY CONN. HOUSING
4	STEEL-TAB	2	STAINLESS STEEL GND TABS
5	67566521*	2	4-40 X 3/8IN. PHL, FLT HD, SCREW, 18-8 SS
6	91099A160*	1	4-40 X 1/2 IN. PHL, FLT HD, SCREW, 18-8 SS
7	571-063-R70BT	2	RED TEFLON COATED BUNA O-RING
8	90730A005*	3	4-40 HEX NUT
9	4000*	3	#4 RING TERMINAL
10	C0120-014-0500-M	1	SPRING
11	1116-01-104	1	ROCKER ARM
12	1116-01-103	1	THUMB LOCK
13	SN-359-T3	0.5	AWG 20, 3C + DRAIN, PVC JACKET, FOIL SHIELD .197 IN. DIA., INCLUDES M8 THREADED SR
14	1116-01-105-ASSY	1	POGO PIN ASSEMBLY
14.1	500626-000C	3	POGO PINS
15	1116-01-106-STAMP	1	STAMPED GND BAR
16	91099A169*	1	4-40 X 5/8 IN. PHL, FLT HD, SCREW, BLACK OX.
17	90033A160*	3	#6 X 1 IN. PHL, FLT HD, BLACK OX.

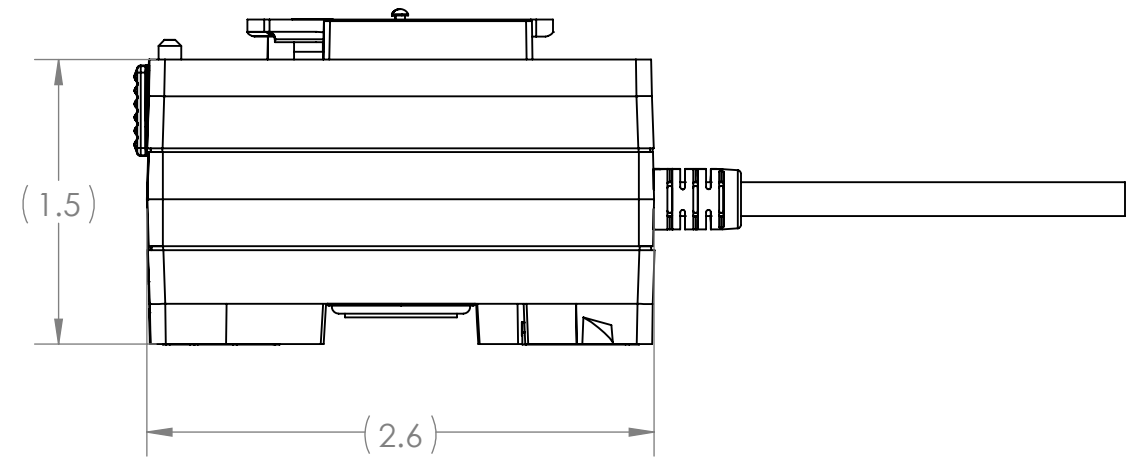
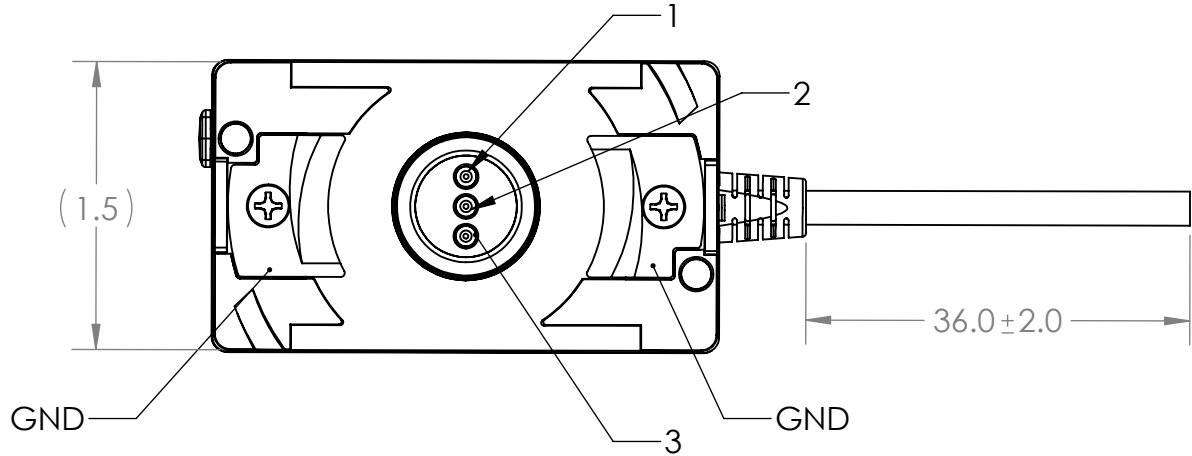
**NOTES:**  
 1. SEE SHEET 2 FOR SUGGESTED WIRE RUN.  
 2. SEE SHEET 2 FOR COMPLETED ASSEMBLY VIEWS & DIMENSIONS.  
 3. **PACKAGING:** ALL PARTS SHALL BE PLACED IN A ZIP-POLY BAG.  
 1. PACKAGE SHALL BE MARKED WITH THE SUPPLYNET LOGO, PRODUCT QR CODE AND THE BELOW INFORMATION ONLY, PER SN-STD-LBL. (REV MARKING PER PO)  
**PN: SN-832-KIT REV. X**  
**CAGE: 1HJX9**  
**LOT: TYYYMMDDPXXXXX**

\* = OR EQUIVALENT

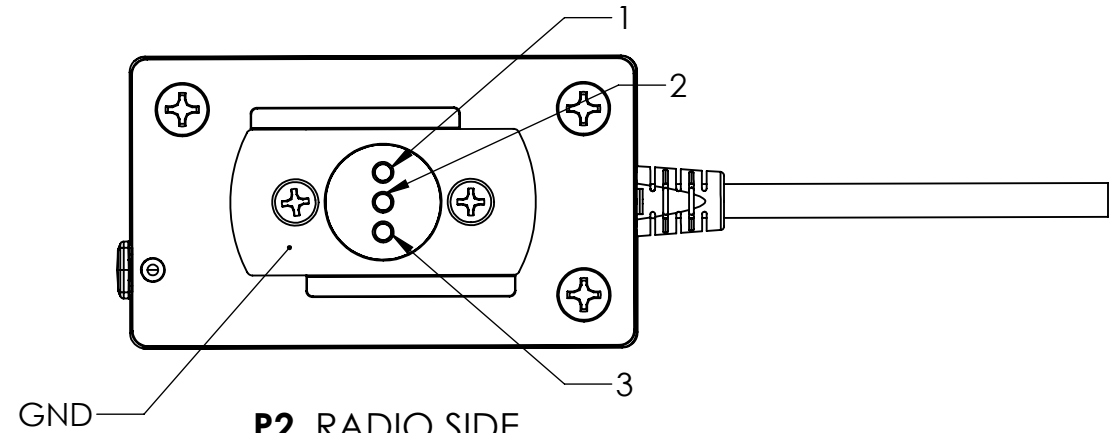
UNLESS OTHERWISE SPECIFIED: DIMENSIONS ARE IN: INCHES TOLERANCES: .XX: ± 0.03 .XXX: ± 0.005 ANGULAR: .X°: 1° .XX°: 0.5° BREAK EDGES: .005 - .020 FILLETS: .005 - .020 SURFACE FINISH: GEOMETRIC TOLERANCING PER: ASME Y14.5 -2009 MATERIAL: SEE DRAWING NOTES FINISH: SEE DRAWING NOTES DO NOT SCALE DRAWING	DRAWN: LS CHECKED: RB COMMENTS: <b>PROPRIETARY AND CONFIDENTIAL</b> THE INFORMATION CONTAINED IN THIS DRAWING IS THE SOLE PROPERTY OF SUPPLYNET, INC. ANY REPRODUCTION IN PART OR AS A WHOLE WITHOUT THE WRITTEN PERMISSION OF SUPPLYNET INC. IS PROHIBITED.	NAME: LS DATE: 1/17/2018 1/17/2018	REF. NUMBER: SN0546 <b>SupplyNet</b> DESIGN ENGINEERING MANUFACTURING TITLE: <b>PRC-148/152 BATTERY/RADIO DUAL ADAPTER W/UNREGULATED 12V POWER OUT (KIT)</b> SIZE: <b>B</b> DWG. NO.: <b>SN-832-KIT</b> REV: <b>E</b> SCALE: NA WEIGHT: SHEET 1 OF 2
---	--	--	--

TABLE 1: WIRE RUN		
P1	WIRE COLOR	P2
1, 3	RED	1, 3
2	JUMPER	2
GND	BLACK + DRAIN	GND

**P1, BATTERY SIDE  
(MATES TO RADIO)**



**P2, RADIO SIDE  
(MATES TO BATTERY)**



**PROPRIETARY AND CONFIDENTIAL**  
 THE INFORMATION CONTAINED IN THIS DRAWING IS THE SOLE PROPERTY OF SUPPLYNET, INC. ANY REPRODUCTION IN PART OR AS A WHOLE WITHOUT THE WRITTEN PERMISSION OF SUPPLYNET INC. IS PROHIBITED.

DO NOT SCALE DRAWING

**CAGE CODE: 1HJX9**

REF. NUMBER: SN0370



TITLE: **PRC-148/152  
 BATTERY/RADIO DUAL  
 ADAPTER W/UNREGULATED  
 12V POWER OUT (KIT)**

SIZE <b>B</b>	DWG. NO. <b>SN-832-KIT</b>	REV <b>E</b>
------------------	-------------------------------	-----------------

SCALE: NA WEIGHT: SHEET 2 OF 2