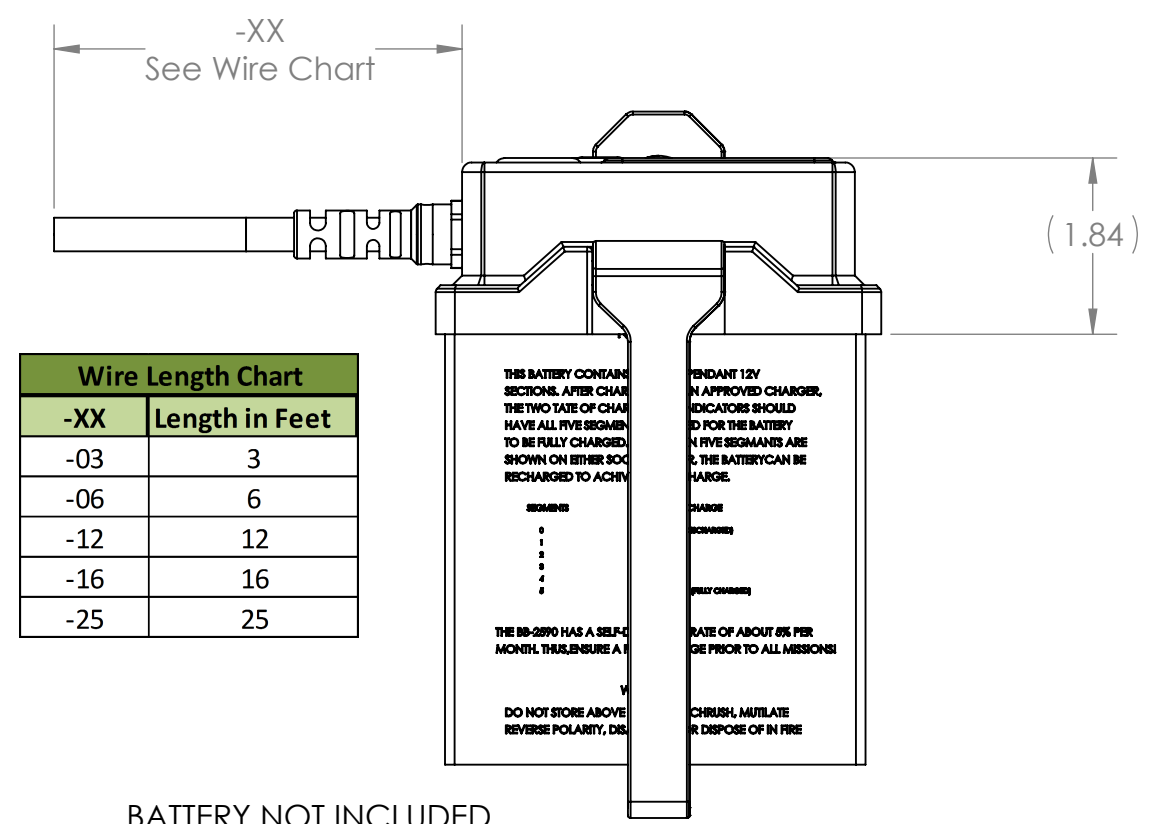
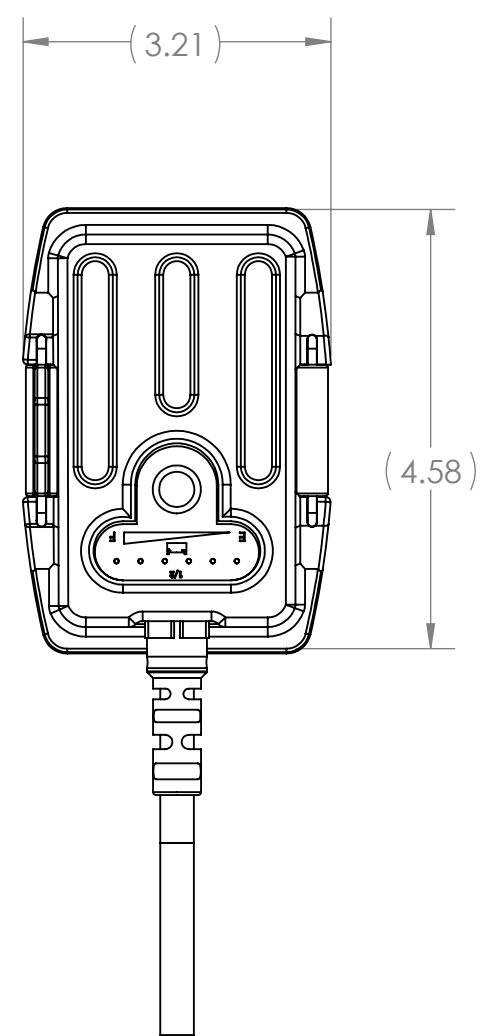


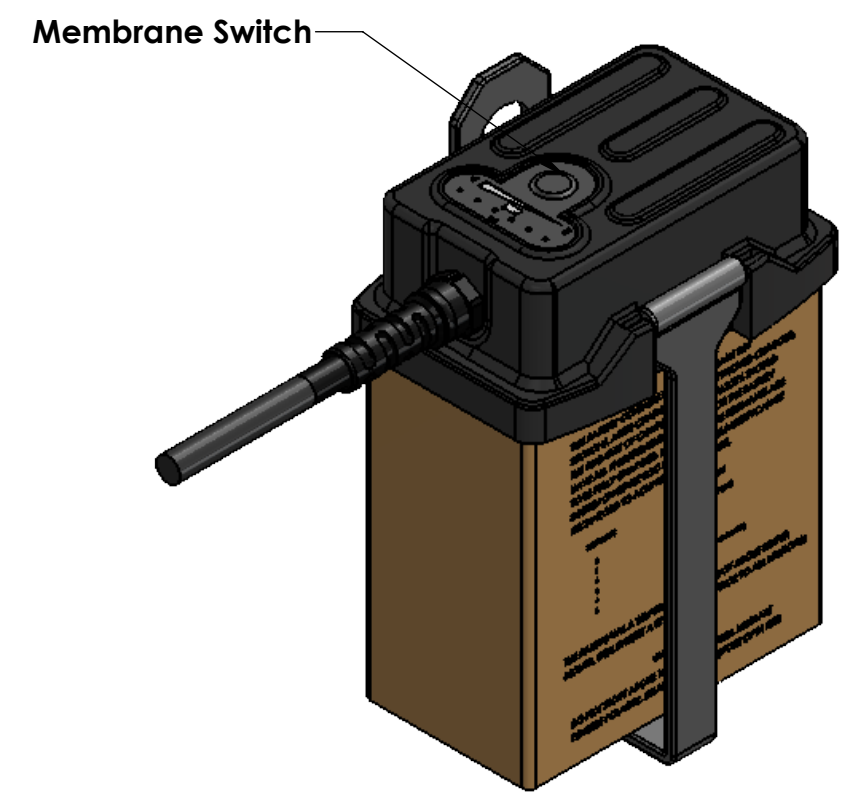
REV	DATE	DESCRIPTION OF CHANGE	ENG
A	09/17/2015	REVISED. SEE DCN SN0374	TC

VOTAGE REGULATION CHART				
-V	WIRE COLOR: RED	WIRE COLOR: BLACK	WIRE COLOR: WHITE	WIRE COLOR: GREEN
A	12V (+)	12V (-)	24V (+) Unregulated	24V (-) Unregulated
B	12V (+)	12V (-)	N/C	N/C
C	5V (+)	5V (-)	N/C	N/C
F	12V (+)	12V (-)	5V (+)	5V (-)
G	19V (+)	19V (-)	5V (+)	5V (-)



-XX	Length in Feet
-03	3
-06	6
-12	12
-16	16
-25	25

BATTERY NOT INCLUDED



**ON/OFF:** PRESS MEMBRANE SWITCH FOR 5 SECONDS  
**BATTERY FUEL LEVEL:** PRESS MEMBRANE SWITCH FOR 1 SECOND  
**BATTERY REMOVAL RETURNS UNIT TO OFF STATE.**

BILL OF MATERIALS			
PART NUMBER	QTY	NAME	COMMENTS
SN-951	1	Watertight Cap Assembly	Includes Regulator
SN-404-4C	-XX Length	4C Wire	

NOTES:  
 1) ELECTRICAL: ASSEMBLY SHALL 100% TESTED FOR CONTINUITY, SHORTS AND INSULATION RESISTANCE (100 MEGOHMS) PIN TO PIN RESISTANCE SHALL NOT EXCEED 2.0 OHMS.  
 2) SOLDERING: IAW IPC-J-STD-001 CLASS II AS APPLICABLE.

UNLESS OTHERWISE SPECIFIED:		NAME	DATE	REF. NUMBER: SN0374
DIMENSIONS ARE IN: INCHES TOLERANCES: .XX: ± 0.03 .XXX: ± 0.005 ANGULAR: .X°: ]° .XX°: 0.5° BREAK EDGES: .005 - .020 FILLETS: .005 - .020 SURFACE FINISH:		DRAWN	TC 09/17/15	
GEOMETRIC TOLERANCING PER: ASME Y14.5-2009		CHECKED	RJB 09/17/15	706 EXECUTIVE BLVD. SUITE 8 VALLEY COTTAGE, NY 10989 <b>TITLE: WATERTIGHT DC TO DC REGULATOR SEE CHART FOR VOLTAGE</b>
MATERIAL: SEE DRAWING NOTES FINISH: SEE DRAWING NOTES		COMMENTS:		
DO NOT SCALE DRAWING		<b>PROPRIETARY AND CONFIDENTIAL</b> THE INFORMATION CONTAINED IN THIS DRAWING IS THE SOLE PROPERTY OF SUPPLYNET, INC. ANY REPRODUCTION IN PART OR AS A WHOLE WITHOUT THE WRITTEN PERMISSION OF SUPPLYNET INC. IS PROHIBITED.		SIZE <b>B</b> DWG. NO. <b>SN-951-V-XX</b> REV <b>A</b>
		<b>CAGE CODE: 1HJX9</b>		SCALE: NA WEIGHT: SHEET 1 OF 1