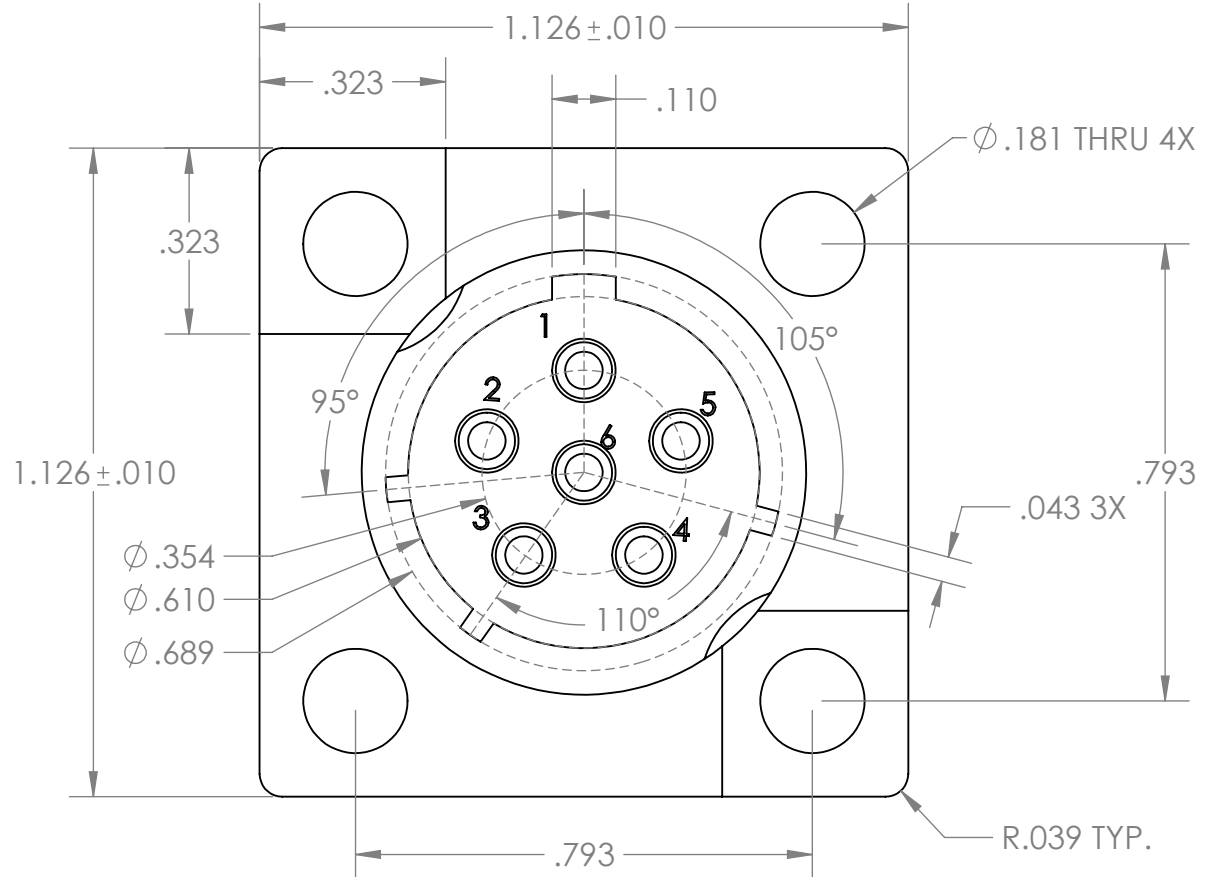
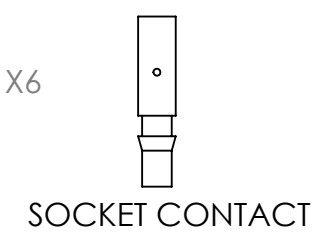
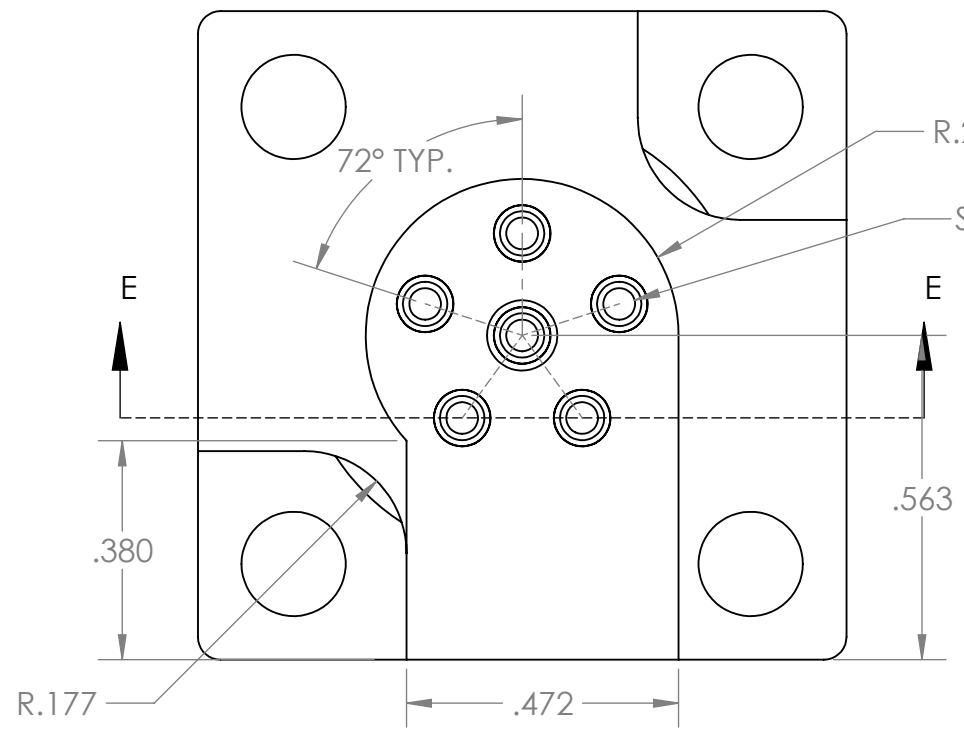


8 7 6 5 4 3 2 1

**TOP VIEW
(MATING FACE)**

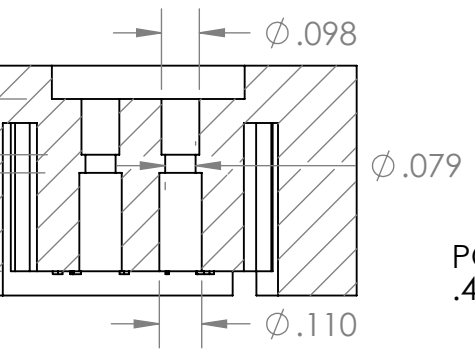
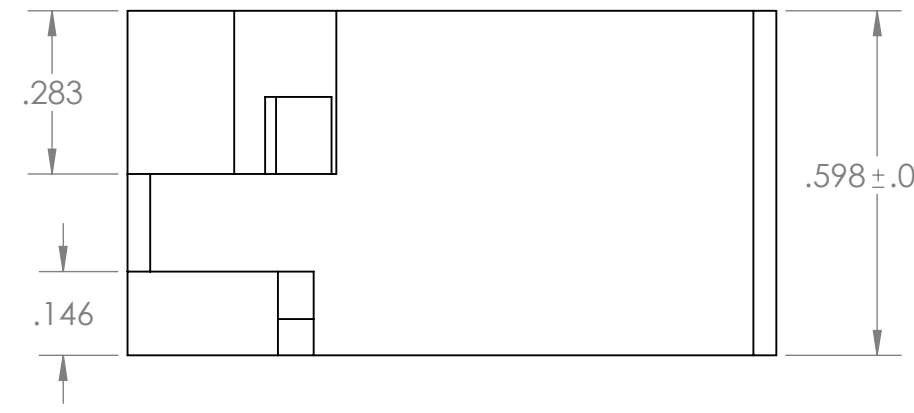


**REAR VIEW
(SOLDER SIDE)**



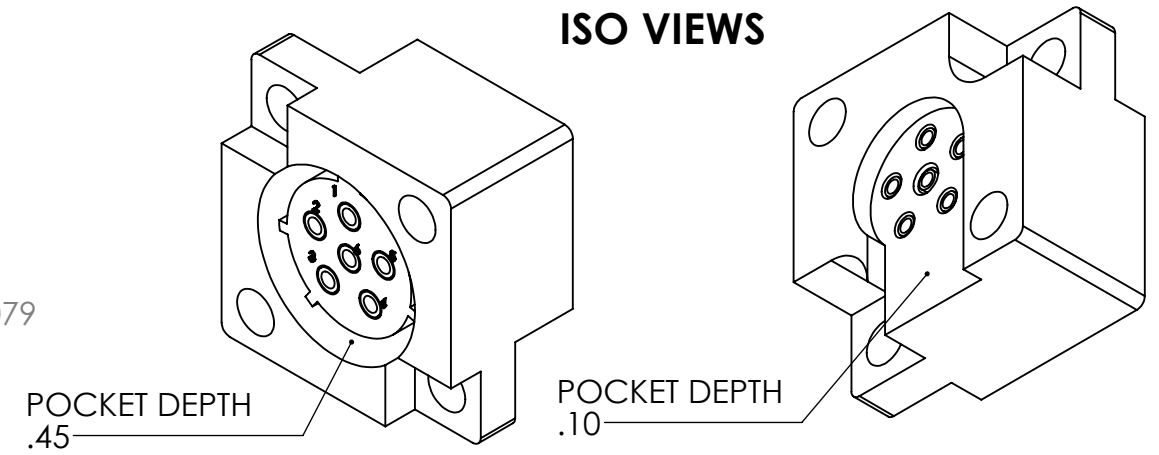
REVISIONS			
REV.	DESCRIPTION	DATE	ENG
C	ADDED PACKAGING INSTRUCTIONS	7/02/2019	LS
D	REVISED PER ECN0379-01: REDRAWN WITH CHANGE; UPDATED DWG FORMAT, UPDATED NOTE 2, ADJUSTED DIMENSIONS & TOLERANCES	4/19/2023	MOB
E	REVISED PER ECN0379-02: UPDATED POCKET DEPTH DIMENSIONS	6/8/2023	MOB

SIDE VIEW



SECTION E-E
PIN HOLE DETAIL

ISO VIEWS



NOTES:
 1. MATERIAL: POLYBUTYLENE TEREPHTHALATE (PBT)
 2. MARKING/PACKAGING REQUIREMENTS: PLACE EACH COMPLETED ASSEMBLY INTO A ZIP-POLY BAG AND LABEL WITH THE SUPPLYNET LOGO, PRODUCT QR CODE, AND THE BELOW INFORMATION ONLY (REV MARKING PER PO):
PN: CONN-BB2590-FLP REV. X
CAGE: 1HJX9
LOT: TYYMMDDPXXXXX

UNLESS OTHERWISE SPECIFIED:
 DIMENSIONS ARE IN: INCHES
 TOLERANCES: .XX: ± 0.03
 .XXX: ± 0.005
 ANGULAR: .X°: 1°
 .XX°: 0.5°
 BREAK EDGES: .005 - .020
 FILLETS: .005 - .020
 SURFACE FINISH:
 GEOMETRIC TOLERANCING
 PER: ASME Y14.5 -2009
 MATERIAL: SEE DRAWING NOTES
 FINISH: SEE DRAWING NOTES
 DO NOT SCALE DRAWING

	NAME	DATE
DRAWN	TC	10/16/2015
CHECKED	RJB	10/16/2015
COMMENTS:		
PROPRIETARY AND CONFIDENTIAL		
THE INFORMATION CONTAINED IN THIS DRAWING IS THE SOLE PROPERTY OF SUPPLYNET, INC. ANY REPRODUCTION IN PART OR AS A WHOLE WITHOUT THE WRITTEN PERMISSION OF SUPPLYNET INC. IS PROHIBITED.		
CAGE CODE: 1HJX9		

REF. NUMBER: SN0379

SupplyNet DESIGN ENGINEERING MANUFACTURING

BB-2590-FLP, FEMALE LOW PROFILE CONNECTOR

SIZE B	DWG. NO. CONN-BB2590-FLP	REV E
SCALE: NA	WEIGHT:	SHEET 1 OF 1

8 7 6 5 4 3 2 1