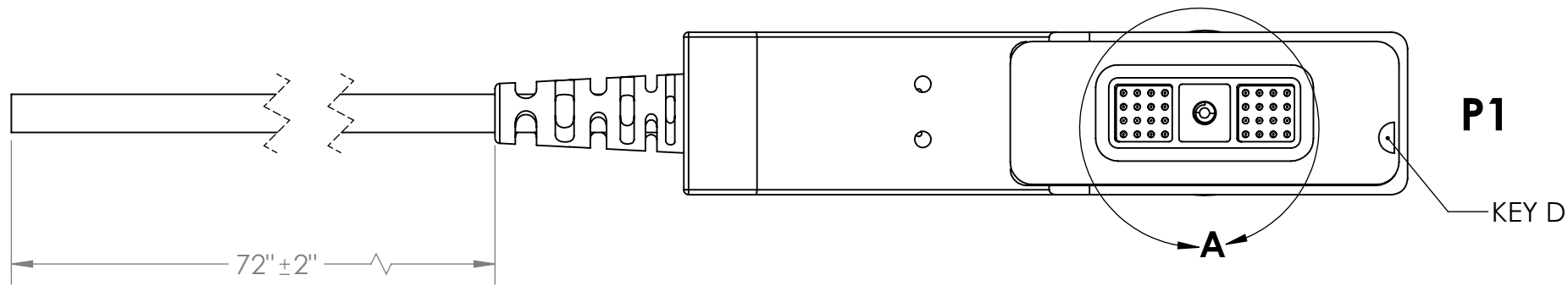
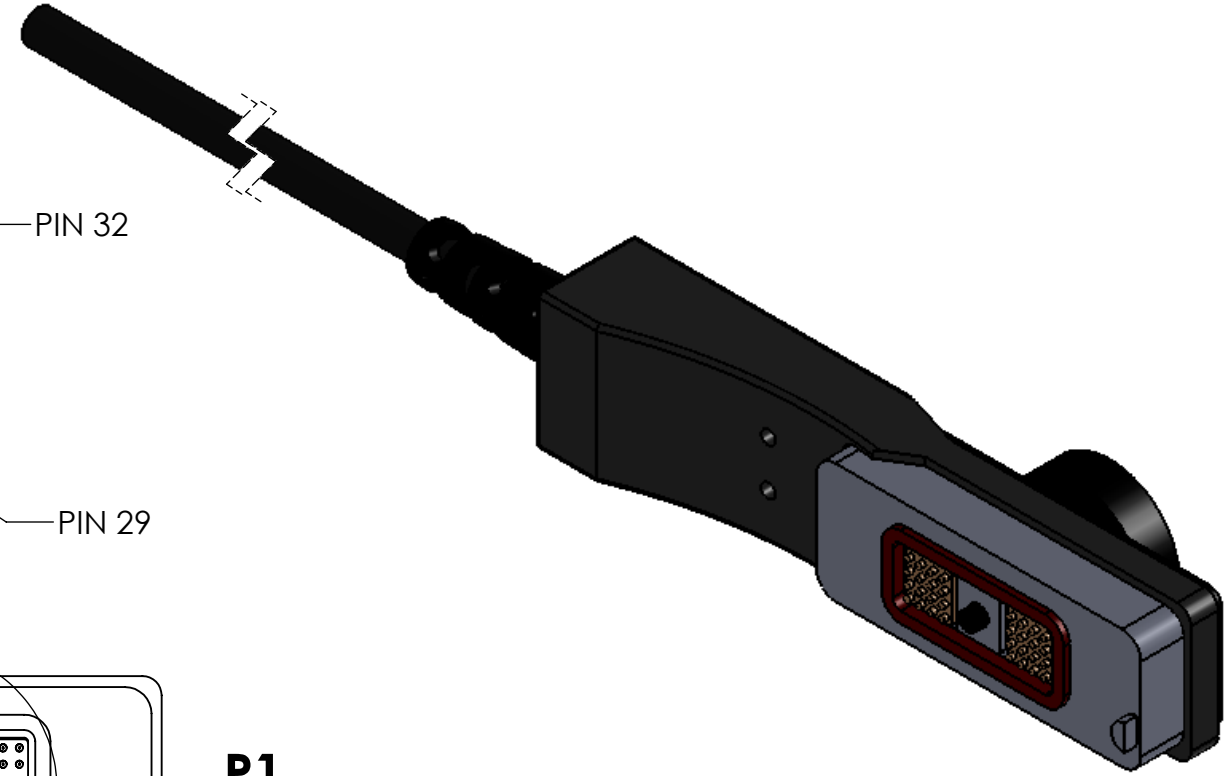
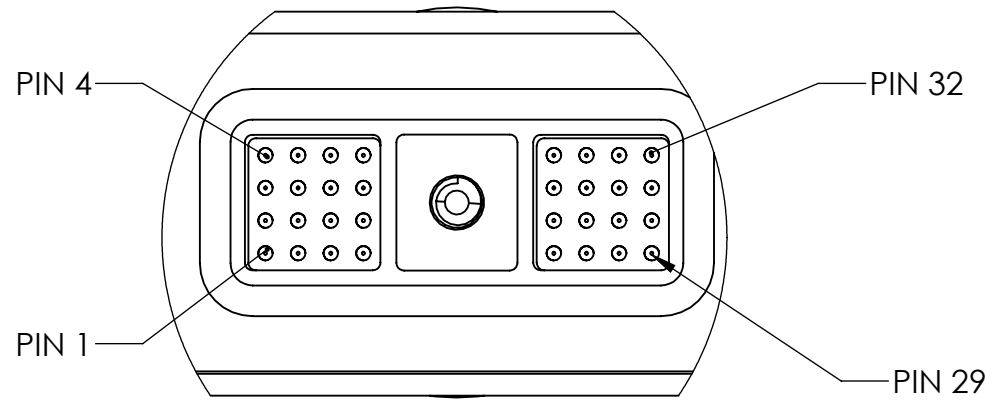


TABLE 1. WIRE RUN LIST	
P1 PIN NUMBER	WIRE COLOR
3	RED
5	GREEN
6	WHITE
8	BLACK
E33, E34	BRAIDED SHIELD

TWISTED PAIR

DETAIL A  
SCALE 2 : 1



REV	DATE	DESCRIPTION OF CHANGE	ENG
D	08/22/15	RELEASED. SEE DCN SN0156-	TC

BILL OF MATERIALS				
ITEM NO.	PART NUMBER	QTY	NAME	COMMENTS
1	51285	74"	WIRE	4C USB WIRE .230" OD
2	TE-32D-ASSY	1	CONNECTOR ASSEMBLY	INCLUDES HOUSING, FASTENERS, PCB, THUMBWHEEL. PROVIDED BY SUPPLYNET
3	SN0072	1	PCB	

NOTES:

- CABLE: 26 AWG, 4 CONDUCTOR, OD: 0.230" NOMINAL. POLYURETHANE INSULATION. OUTER SHIELD 38 AWG, TIN PLATED COPPER BRAID, 90% COVERAGE.
- JACKET: BLACK MATTE FINISH.
- E33, E34 IS CHASSIS GROUND
- SOLDERING IAW IPC-J-STD-001 CLASS II AS APPLICABLE.
- CABLE ASSEMBLIES TO BE 100% TESTED FOR CONTINUITY, SHORTS AND INSULATION RESISTANCE (250V @ 100MOHM MINIMUM)
- IDENTIFICATION: BAG AND IDENTIFY ON PACKAGING THE FOLLOWING INFORMATION FOR EACH PART DELIVERED. UOS PART MARKING ON THE WIRE IS PROHIBITED:  
**PN: TE-32D-06 REV X (REV MARKING PER PO)**  
**CAGE CODE: 1HJX9**  
**DATE OF MFGR: MM/YY**
- WIRING FUNCTION: SEE SHEET TABLE 1 AND DRAWING SN0072.
- REFERENCE SUPPLYNET FILE NUMBER SN0156.
- MANUFACTURE AND INSPECT IAW IPC/WHMA A-620 CLASS 2.

UNLESS OTHERWISE SPECIFIED:  
 DIMENSIONS ARE IN: INCHES  
 TOLERANCES: .XX: ± 0.03  
 .XXX: ± 0.005  
 ANGULAR: .X°: 1°  
 .XX': 0.5°  
 BREAK EDGES: .005 - .020  
 FILLETS: .005 - .020  
 SURFACE FINISH:  
 GEOMETRIC TOLERANCING  
 PER: ASME Y14.5 -2009  
 MATERIAL: SEE DRAWING NOTES  
 FINISH: SEE DRAWING NOTES  
 DO NOT SCALE DRAWING

	NAME	DATE
DRAWN	RJB	04/02/13
CHECKED	RJB	04/02/16
COMMENTS:		

**PROPRIETARY AND CONFIDENTIAL**  
 THE INFORMATION CONTAINED IN THIS DRAWING IS THE SOLE PROPERTY OF SUPPLYNET, INC. ANY REPRODUCTION IN PART OR AS A WHOLE WITHOUT THE WRITTEN PERMISSION OF SUPPLYNET INC. IS PROHIBITED.

PART NUMBER: TE-32D-06

**SupplyNet** 706 EXECUTIVE BLVD.  
SUITE B  
VALLEY COTTAGE, NY 10989

TITLE: **RF-7850M 32 PIN DATA CABLE, 6 FOOT.**

SIZE <b>B</b>	DWG. NO. <b>TE-32D-06</b>	REV <b>D</b>
SCALE: NA	WEIGHT:	SHEET 1 OF 1