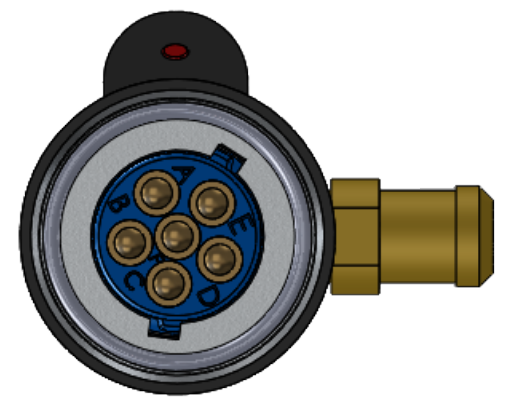


REV	DATE	DESCRIPTION OF CHANGE	ENG
B	1/15/2020	CORRECTED CONFIG DESIGNATIONS, ADDED CONFIG G	MOB

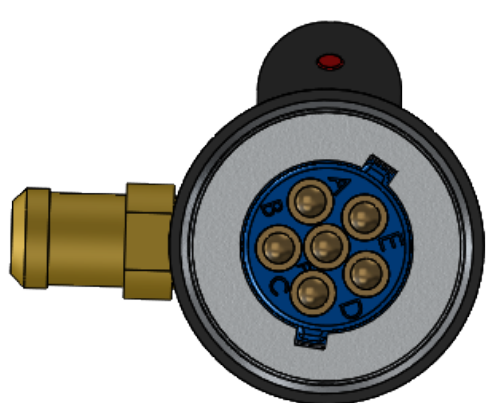
**"A"**  
45° CONFIGURATION  
SN-909-A-KIT



**"B"**  
90° CONFIGURATION  
SN-909-B-KIT



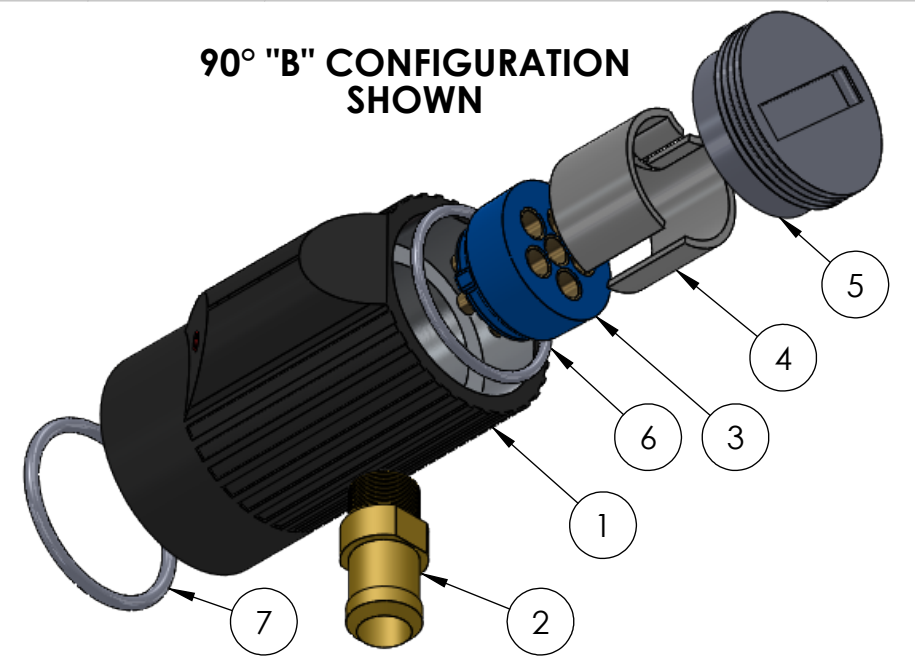
**"C"**  
270° CONFIGURATION  
SN-909-C-KIT



**"D"**  
180° CONFIGURATION  
SN-909-D-KIT



**90° "B" CONFIGURATION SHOWN**



**"E"**  
225° CONFIGURATION  
SN-909-E-KIT



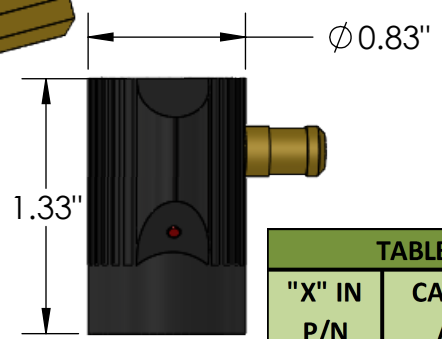
**"F"**  
135° CONFIGURATION  
SN-909-F-KIT



**"G"**  
165° CONFIGURATION  
SN-909-G-KIT



**"H"**  
315° CONFIGURATION  
SN-909-H-KIT



BILL OF MATERIALS			
ITEM NO.	PART NUMBER	QTY	NAME
1 (SEE TABLE 1 FOR PART SELECTION)	SN-M55116/4-3-45	1	SHELL WITH 45° THREADED HOLE
	SN-M55116/4-3-90		SHELL WITH 90° THREADED HOLE
	SN-M55116/4-3-135		SHELL WITH 135° THREADED HOLE
	SN-M55116/4-3-165		SHELL WITH 165° THREADED HOLE
	SN-M55116/4-3-180		SHELL WITH 180° THREADED HOLE
	SN-M55116/4-3-225		SHELL WITH 225° THREADED HOLE
	SN-M55116/4-3-270		SHELL WITH 270° THREADED HOLE
	SN-M55116/4-3-315		SHELL WITH 315° THREADED HOLE
2	SN-M55116/4-3-BP	1	THREADED BANDING PLATFORM
3	44-3295	1	6 PIN CONNECTOR
4	44-109	1	PLASTIC STANDOFF
5	SN-M55116/4-3-PLUG	1	BACK PLUG
6	55-127	1	SMALL (INNER) O-RING

**CONNECTOR TERMINATION:**

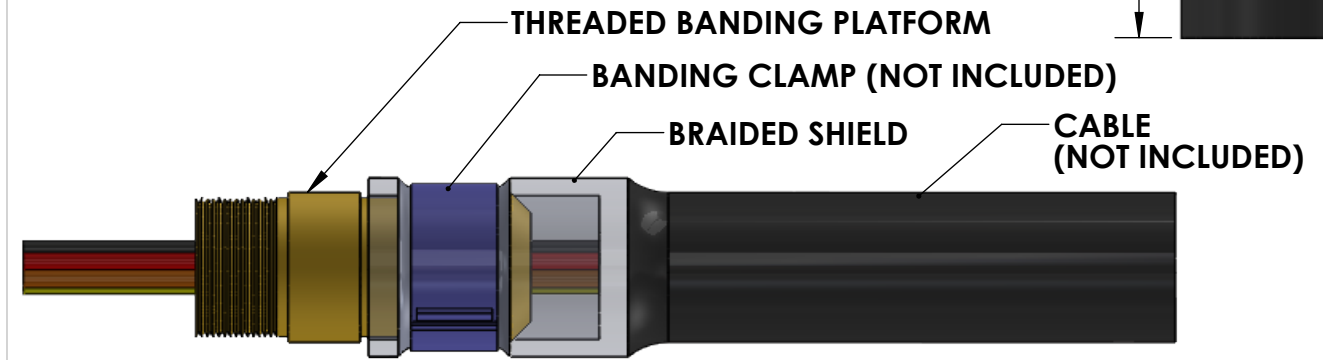


TABLE 1: ITEM #1 SELECTION		
"X" IN P/N	CABLE EXIT ANGLE	ITEM #1 P/N
A	45°	SN-M55116/4-3-45
B	90°	SN-M55116/4-3-90
C	270°	SN-M55116/4-3-270
D	180°	SN-M55116/4-3-180
E	225°	SN-M55116/4-3-225
F	135°	SN-M55116/4-3-135
G	165°	SN-M55116/4-3-165
H	315°	SN-M55116/4-3-315

UNLESS OTHERWISE SPECIFIED:  
 DIMENSIONS ARE IN: INCHES  
 TOLERANCES: .XX: ± 0.03  
 .XXX: ± 0.005  
 ANGULAR: .X°: 1°  
 .XX': 0.5°  
 BREAK EDGES: .005 - .020  
 FILLETS: .005 - .020  
 SURFACE FINISH:  
 GEOMETRIC TOLERANCING PER: ASME Y14.5 -2009  
 MATERIAL: SEE DRAWING NOTES  
 FINISH: SEE DRAWING NOTES

NAME	DATE
DRAWN: LS	07/24/18
CHECKED: TC	07/24/18
COMMENTS:	

REF. NUMBER: SN0469

**SupplyNet** 706 EXECUTIVE BLVD. SUITE B VALLEY COTTAGE, NY 10989

TITLE: **ANGLED AUDIO CABLE KIT, VARIABLE ANGLE**

SIZE: **B** DWG. NO.: **SN-909-X-KIT** REV: **B**

CAGE CODE: 1HJX9 SCALE: NA WEIGHT: SHEET 1 OF 1

DO NOT SCALE DRAWING