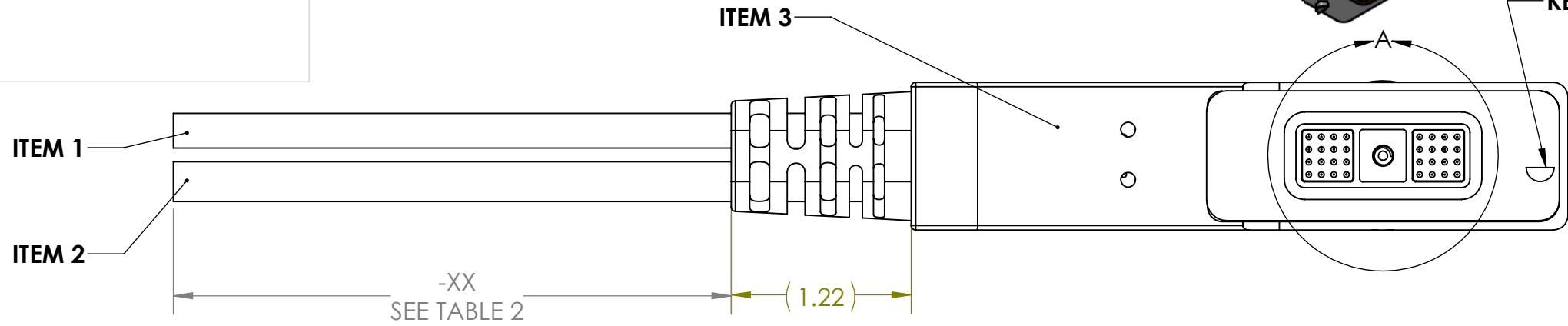
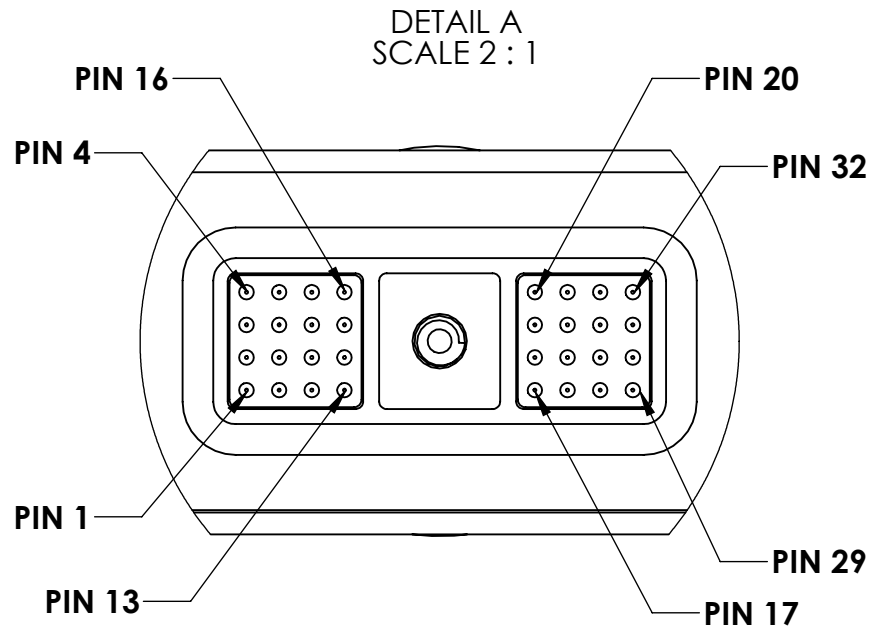


TABLE 1 WIRE RUN LISTING			
ITEM 1 (19 CONDUCTOR)		ITEM 2 (12 CONDUCTOR)	
PIN NUMBER	WIRE COLOR	PIN NUMBER	WIRE COLOR
13	RED	1	BLACK
14	YELLOW	2	BLACK/WHITE
15	BLUE	3	BROWN
16	BROWN	4	BROWN/WHITE
17	BLACK	5	ORANGE
18	PURPLE	6	ORANGE/WHITE
19	GRAY	7	RED
20	PINK	8	RED/WHITE
21	TAN	9	GREEN
22	LIGHT GREEN *	10	GREEN/WHITE
23	LIGHT BLUE *	11	YELLOW
24	GREEN	12	YELLOW/WHITE
25	WHITE	CHASSIS GRND	SHIELD
26	DARK ORANGE **		
27	DARK BLUE **		
28	N/C		
29	DARK GREEN		
30	CLEAR		
31	ORANGE		
32	CLEAR		
CHASSIS GROUND	SHIELD		
* OPTIONAL WHITE BAND FOR CLARITY			
** OPTIONAL BLACK BAND FOR CLARITY			

TABLE 2	
-XX	DIMENSION FEET (TOLERANCE)
TE-32M2-ALL-03	3 (+4.0" -0.0")
TE-32M2-ALL-06	6 (+8.0" -0.0")
TE-32M2-ALL-08	8 (+8.0" -0.0")
TE-32M2-ALL-10	10 (+8.0" -0.0")
TE-32M2-ALL-12	12 (+10.0" -0.0")
TE-32M2-ALL-18	18 (+10.0" -0.0")
TE-32M2-ALL-20	20 (+10.0" -0.0")
TE-32M2-ALL-25	25 (+10.0" -0.0")
TE-32M2-ALL-30	30 (+10.0" -0.0")

- NOTES:
- CABLES: ITEM 1:26 AWG, 19 CONDUCTOR,OD: 0.270 NOMINAL. POLYURETHANE INSULATION. OUTER SHIELD 38 AWG, TIN PLATED COPPER BRAID, 90% COVERAGE. C&M PN 51234. ITEM 2: AWG 26 12 CONDUCTOR 0.235 NOMINAL DIAMETER POLYURETHANE INSULATION. C&M PN 51245.
 - OVERMOLD MATERIAL: 90A POLYETHER-TYPE THERMOPLASTIC POLYURETHANE (TPU).
 - JACKET: BLACK MATTE FINISH.
 - E33,E34 IS CHASSIS GROUND
 - SOLDERING IAW IPC-J-STD-001CLASS II AS APPLICABLE.
 - CABLE ASSEMBLIES TO BE 100% TESTEDFOR CONTINUITY, SHORTS AND INSULATION RESISTANCE (150V @100MOHM MINIMUM)
 - IDENTIFICATION: BAG ANDIDENTIFY ON PACKAGING THE FOLLOWING INFORMATION FOR EACH PART DELIVERED. UOS PART MARKING ON THE WIRE IS PROHIBITED:
PN: TE-32M2-ALL-06 REV X (REV MARKING PER PO)
CAGE CODE: 1HJX9
DATE OF MFGR: MM/YY
 - WIRING FUNCTION TABLE 1.
 - REFERENCE SUPPLYNET FILE NUMBER SN0081.
 - MANUFACTURE AND INSPECT IAW IPC/WHMA A-620 CLASS 2.



REV	DATE	DESCRIPTION OF CHANGE	ENG
E	7/13/18	ADDED WIRE LENGTH TOLERANCE	TC



BILL OF MATERIALS				
ITEM NO.	PART NUMBER	QTY	NAME	COMMENTS
1	51234	74"	WIRE	AWG 26 19 CONDUCTOR
2	51245	74"	WIRE	AWG 26 12 CONDUCTOR
3	TE-32M-ASSY	1	CONNECTOR ASSEMBLY	INCLUDES HOUSING, FASTENERS, PCB, THUMBWHEEL. PROVIDED BY SUPPLYNET
4	SN0072	1	PCB	

UNLESS OTHERWISE SPECIFIED:
 DIMENSIONS ARE IN: INCHES
 TOLERANCES: .XX: ± 0.03
 .XXX: ± 0.005
 ANGULAR: .X°: 1°
 .XX°: 0.5°
 BREAK EDGES: .005 - .020
 FILLETS: .005 - .020
 SURFACE FINISH:
 GEOMETRIC TOLERANCING PER: ASME Y14.5 -2009
 MATERIAL: SEE DRAWING NOTES
 FINISH: SEE DRAWING NOTES
 DO NOT SCALE DRAWING

NAME	RJB	DATE	10/02/14
DRAWN	RJB	CHECKED	10/02/14
COMMENTS:	PROPRIETARY AND CONFIDENTIAL THE INFORMATION CONTAINED IN THIS DRAWING IS THE SOLE PROPERTY OF SUPPLYNET, INC. ANY REPRODUCTION IN PART OR AS A WHOLE WITHOUT THE WRITTEN PERMISSION OF SUPPLYNET INC. IS PROHIBITED.		
CAGE CODE: 1HJX9			

REF. NUMBER: SN0081

SupplyNet 706 EXECUTIVE BLVD. SUITE B VALLEY COTTAGE, NY 10989

TITLE: AN/PRC-117G J3 PORT ALL SIGNALS POPULATED

SIZE	DWG. NO.	REV
B	TE-32M2-ALL-XX	E

SCALE: NA WEIGHT: SHEET 1 OF 1