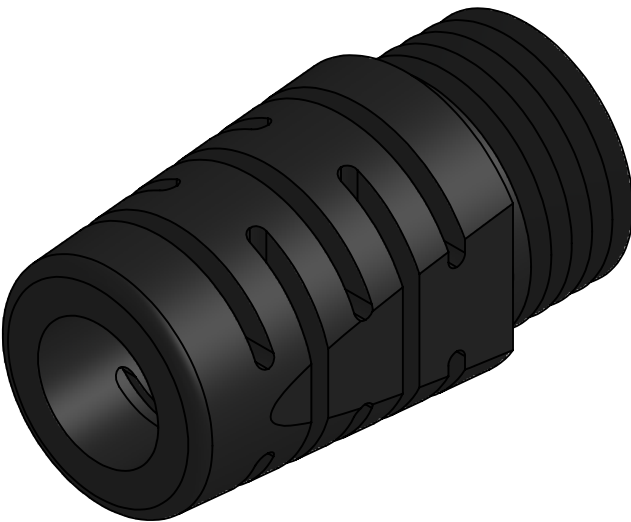
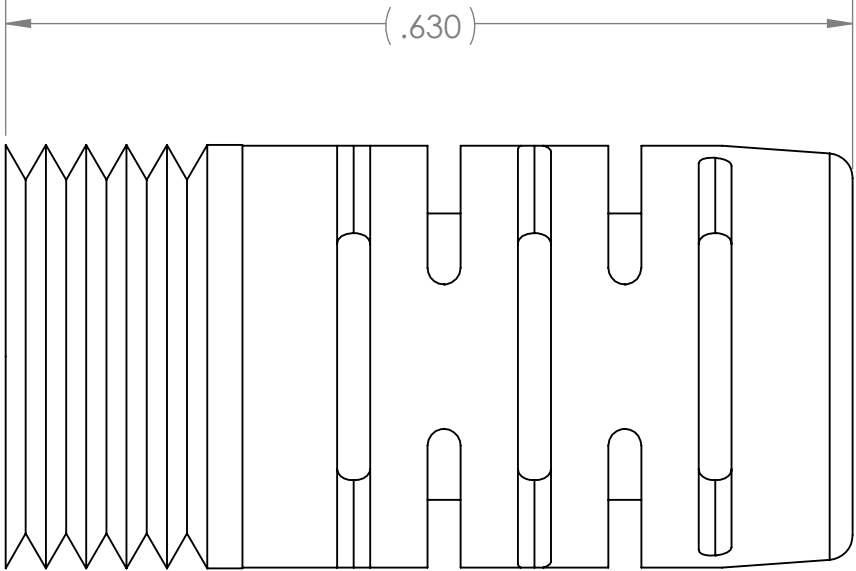


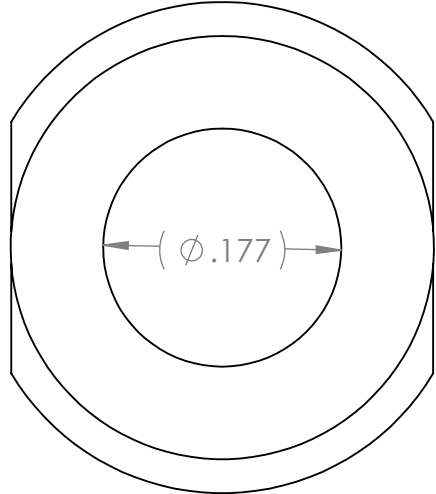
8 7 6 5 4 3 2 1

REVISIONS			
REV.	DESCRIPTION	DATE	ENG
A	RELEASED	03/14/2024	CWA

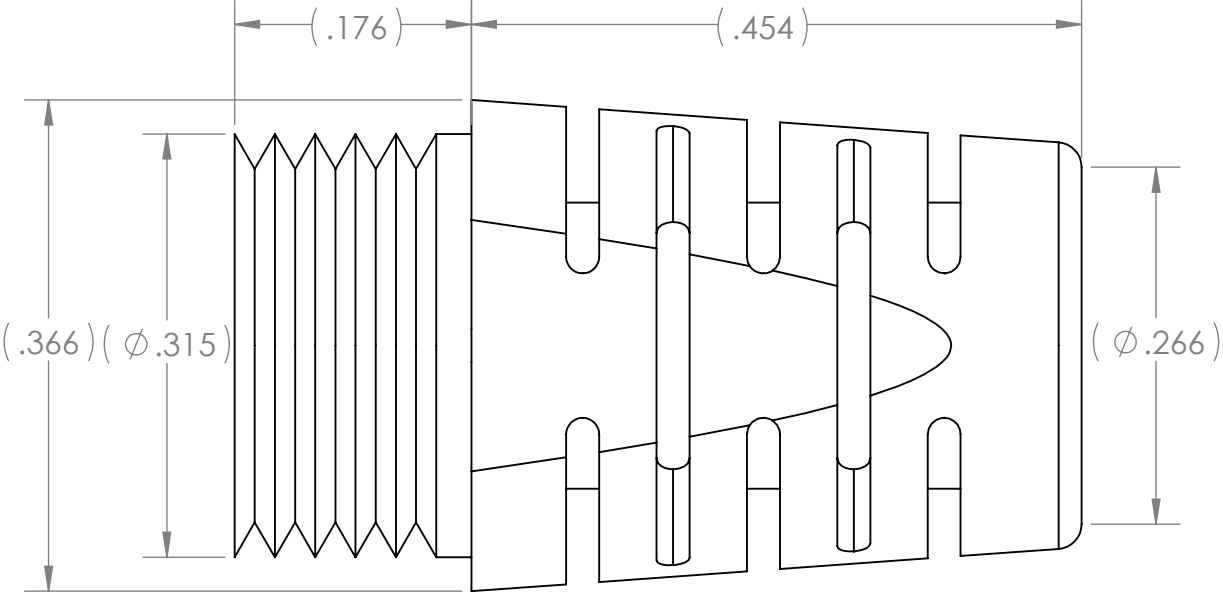
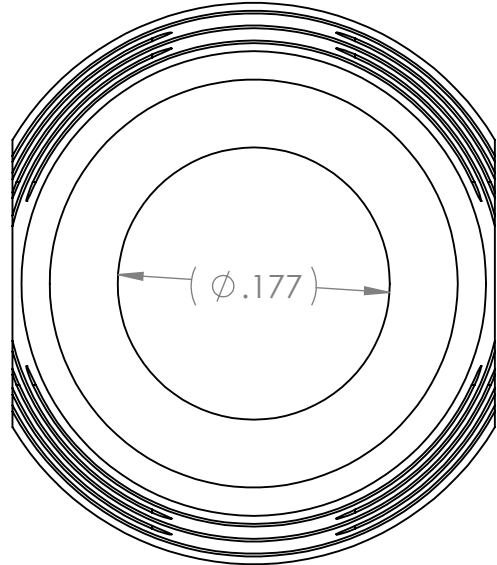
TOP VIEW



FRONT VIEW



BACK VIEW



NOTES:
 MATERIAL: POLYURETHANE
 COLOR: BLACK

UNLESS OTHERWISE SPECIFIED:
 DIMENSIONS ARE IN: INCHES
 TOLERANCES: .XX: ± 0.03
 .XXX: ± 0.005
 ANGULAR: .X°: 1°
 .XX°: 0.5°
 BREAK EDGES: .005 - .020
 FILLETS: .005 - .020
 SURFACE FINISH:
 GEOMETRIC TOLERANCING
 PER: ASME Y14.5 -2009
 MATERIAL: SEE DRAWING NOTES
 FINISH: SEE DRAWING NOTES
 DO NOT SCALE DRAWING

	NAME	DATE
DRAWN	CWA	03/14/2024
CHECKED	MOB	03/14/2024
COMMENTS:		
PROPRIETARY AND CONFIDENTIAL		
THE INFORMATION CONTAINED IN THIS DRAWING IS THE SOLE PROPERTY OF SUPPLYNET, INC. ANY REPRODUCTION IN PART OR AS A WHOLE WITHOUT THE WRITTEN PERMISSION OF SUPPLYNET INC. IS PROHIBITED.		
CAGE CODE: 1HJX9		

REF. NUMBER: SN1145		
TITLE: STRAIN RELIEF 5.0MM WIRE 8MM THREADED		
SIZE B	DWG. NO. SN-046	REV A
SCALE: NA	WEIGHT:	SHEET 1 OF 1

8 7 6 5 4 3 2 1