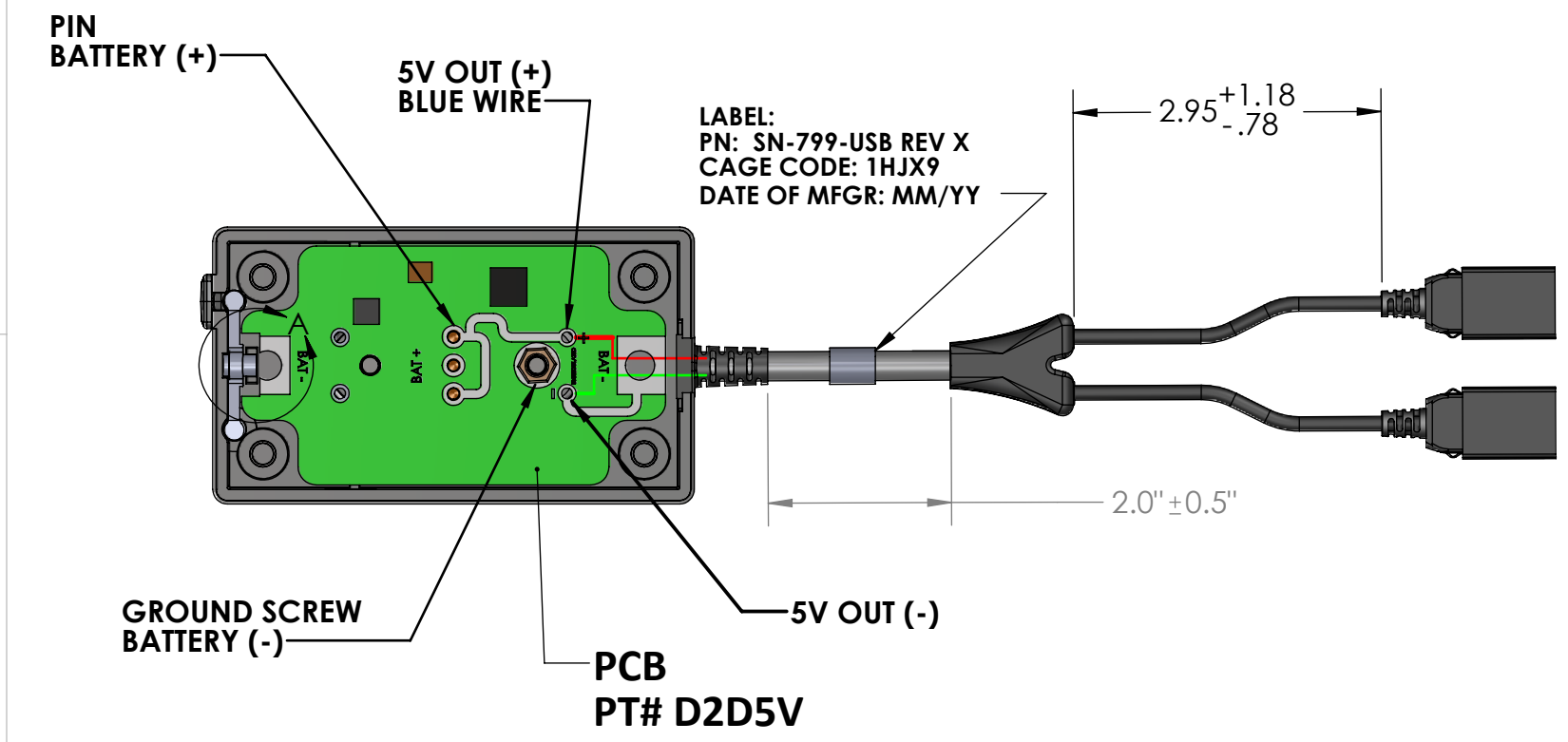
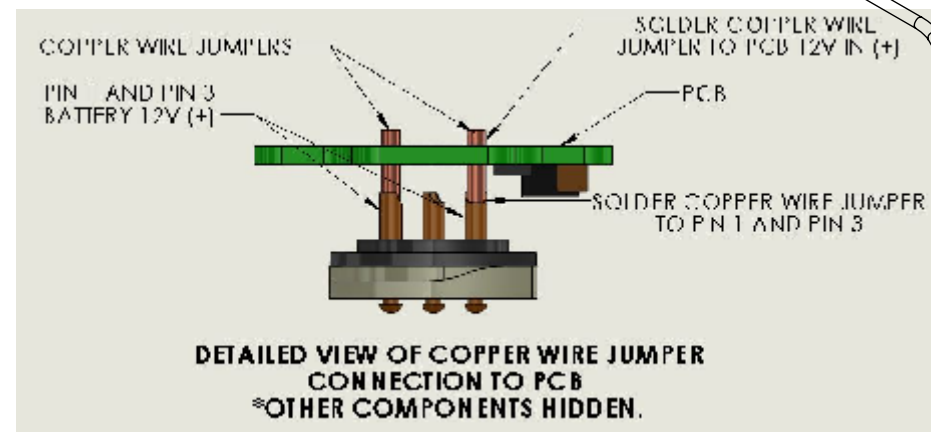
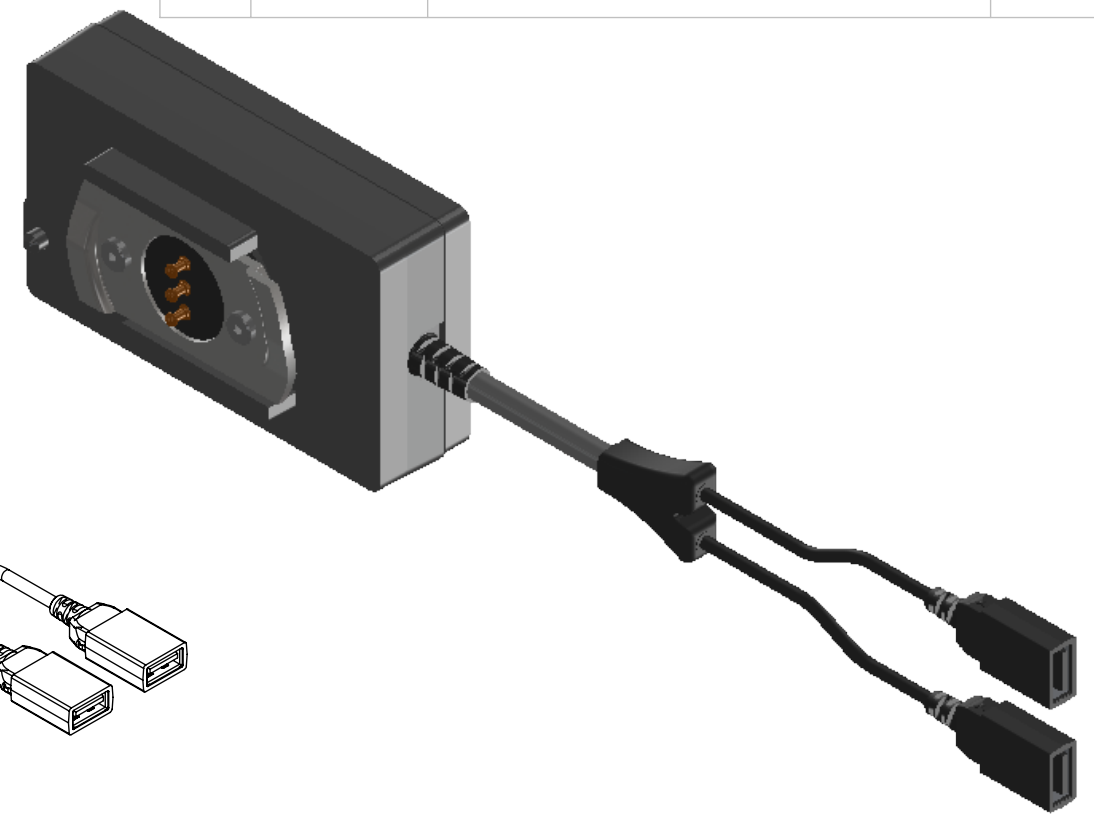
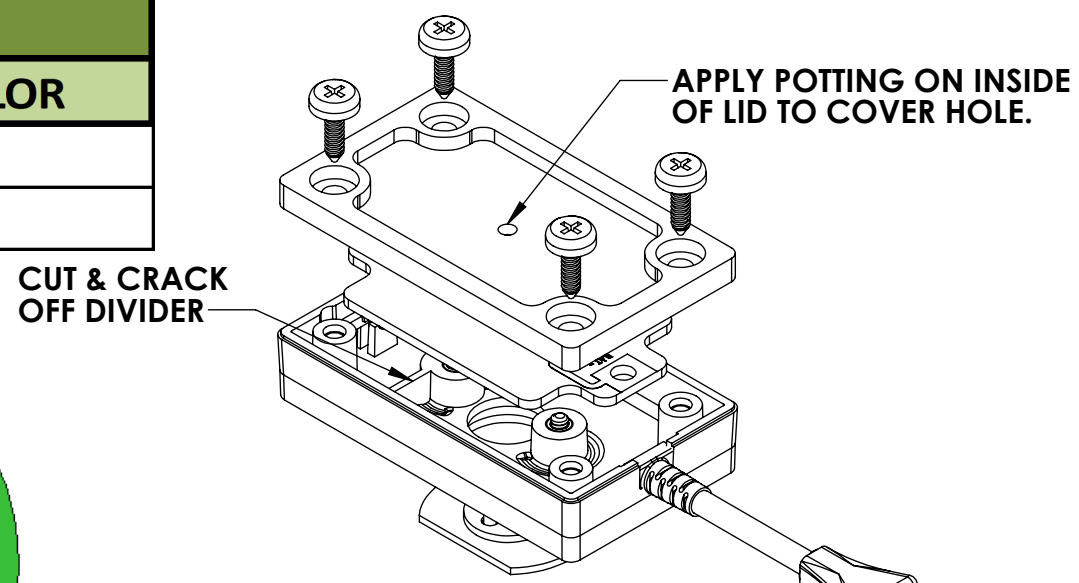
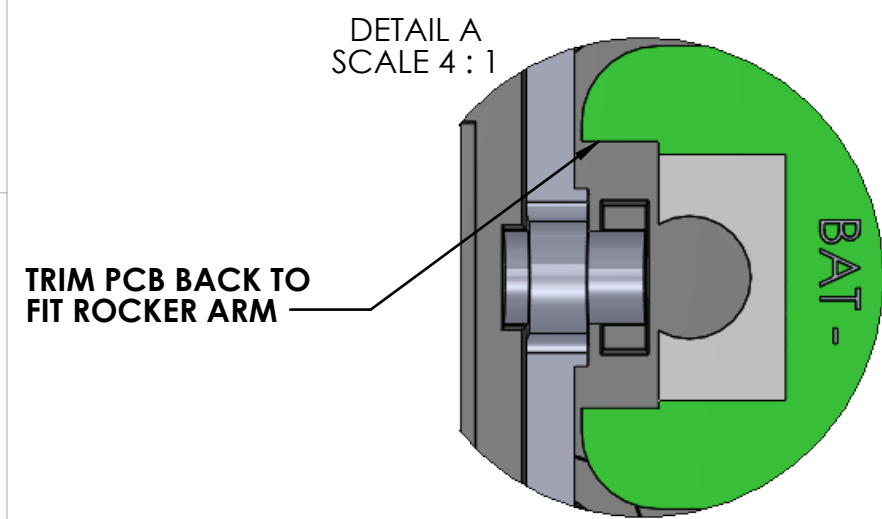


OUTPUT TABLE (PCB TO USB)		
PCB 5V	USB (x2)	WIRE COLOR
OUT (+)	PIN 1	RED
OUT (-)	PIN 4	GREEN

REV	DATE	DESCRIPTION OF CHANGE	ENG
J	7/9/20	ADDED STAMPED GROUND TAB	TC



BILL OF MATERIALS			
ITEM NO.	PART NUMBER	QTY	NAME/DESCRIPTION
1	SN-799-KIT	1	PRC-148/152 BATTERY ADAPTER KIT
2	12VDC-5VDC-PCB	1	5VDC REGULATOR PCB FOR MBITR

UNLESS OTHERWISE SPECIFIED:
 DIMENSIONS ARE IN: INCHES
 TOLERANCES: .XX: ± 0.03
 .XXX: ± 0.005
 ANGULAR: .X°: 1°
 .XX°: 0.5°
 BREAK EDGES: .005 - .020
 FILLETS: .005 - .020
 SURFACE FINISH:
 GEOMETRIC TOLERANCING
 PER: ASME Y14.5-2009
 MATERIAL: SEE DRAWING NOTES
 FINISH: SEE DRAWING NOTES
 DO NOT SCALE DRAWING

	NAME	DATE
DRAWN	TC	01/22/20
CHECKED	RJB	01/22/20
COMMENTS:		

PART NUMBER: SN-799
SupplyNet 706 EXECUTIVE BLVD.
 SUITE B
 VALLEY COTTAGE, NY 10989

TITLE: Battery Adapter with Dual 5V USB Output		
SIZE B	DWG. NO. SN-799-USB	REV J
SCALE: NA	WEIGHT:	SHEET 1 OF 1

CAGE CODE: 1HJX9