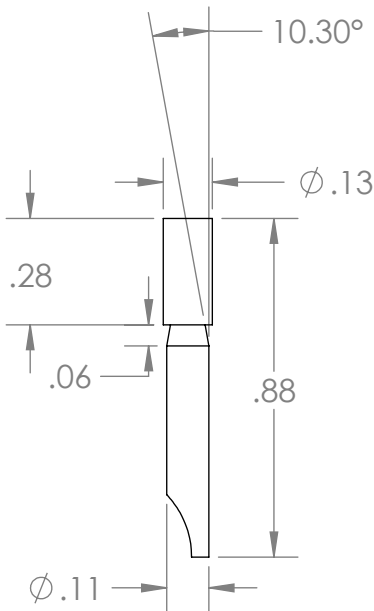
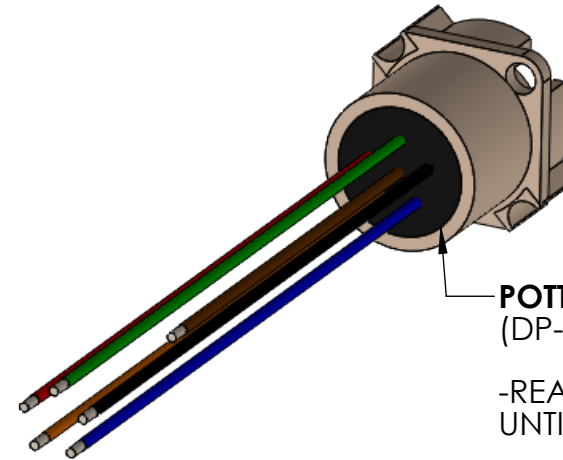
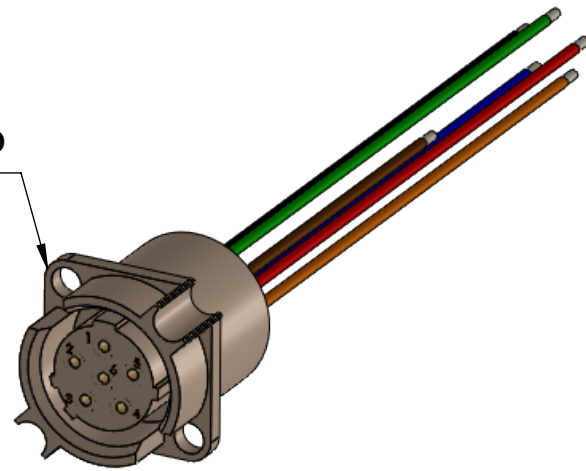


TABLE 1: WIRE RUN LIST		
P1 (ITEM 1)	WIRE COLOR	WIRE LENGTH
1	GREEN	110mm
2	BLACK	110mm
3	BLUE	110mm
4	ORANGE	110mm
5	RED	110mm
6	BROWN	75mm

**PIN DIMENSIONS  
(SOLDER CUP, FEMALE)**

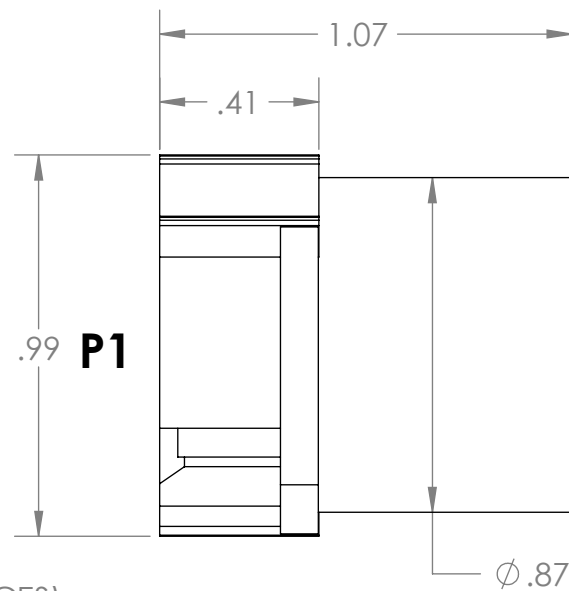
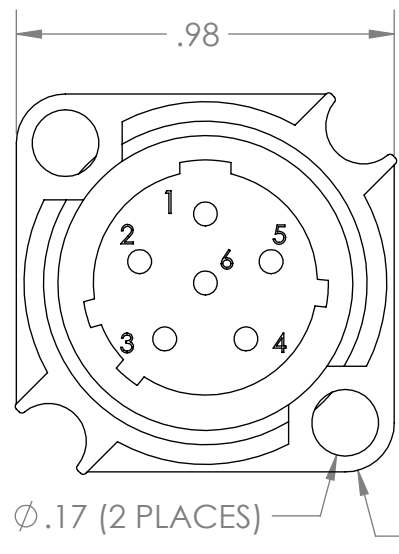


**CONNECTOR MOLDED  
IN RAL-1024 COLOR**



**POTTING MATERIAL  
(DP-270 OR EQUIVALENT)**

-REAR OF CONNECTOR FILLED  
UNTIL PINS ARE COVERED



110mm ± 3.0mm  
(ALL WIRES EXCEPT BROWN, SEE TABLE 1)

4.7mm (STRIPPED AND TINNED)  
ALL WIRES

**NOTES:**

- ALL WIRES ARE TO BE STRIPPED AND TINNED (4.7mm LENGTH).
- COVER PINS ON REAR OF CONNECTOR WITH POTTING MATERIAL (DP-270 OR EQUIVALENT).
- CONNECTOR SPECIFICATIONS:**  
MAX VOLTAGE: 500V  
MAX CURRENT: 15A  
TEMPERATURE RANGE: -55°C TO +125°C  
CONNECTOR MATERIAL: PBT  
CONNECTOR COLOR: RAL-1024
- WIRE SPECIFICATIONS:**  
RATED VOLTAGE: 600V  
WIRE SECTION AREA: 0.6mm<sup>2</sup> 19/0.20  
WORKING TEMPERATURE: -80°C TO + 280°C  
WIRE OD: 1.7mm  
WIRE ID: 1.0mm (AWG 18)  
INSULATION MATERIAL: PTFE  
INSULATION THICKNESS: 0.35mm

REV	DATE	DESCRIPTION OF CHANGE	ENG
C	03/20/2019	CHANGED STRIPPED AND TINNED WIRE LENGTH (ZONE B2, NOTE #1), ADDED WIRE SPECIFICATION NOTES	LS

UNLESS OTHERWISE SPECIFIED:		NAME	DATE	REF. NUMBER: SN0401
DIMENSIONS ARE IN: INCHES		DRAWN	LS	706 EXECUTIVE BLVD. SUITE B VALLEY COTTAGE, NY 10989
TOLERANCES: .XX: ± 0.03 .XXX: ± 0.005		CHECKED	RB	
ANGULAR: .X°: 1° .XX°: 0.5°		COMMENTS:		TITLE: <b>CONN-BB2590-F-RAL-1024 WIRED</b>
BREAK EDGES: .005 - .020 FILLETS: .005 - .020 SURFACE FINISH:		<p><b>PROPRIETARY AND CONFIDENTIAL</b></p> <p>THE INFORMATION CONTAINED IN THIS DRAWING IS THE SOLE PROPERTY OF SUPPLYNET, INC. ANY REPRODUCTION IN PART OR AS A WHOLE WITHOUT THE WRITTEN PERMISSION OF SUPPLYNET INC. IS PROHIBITED.</p>		SIZE <b>B</b>
GEOMETRIC TOLERANCING PER: ASME Y14.5 -2009		<p><b>CAGE CODE: 1HJX9</b></p>		DWG. NO. <b>CONN-BB2590-F-RAL1024W</b>
MATERIAL: SEE DRAWING NOTES		DO NOT SCALE DRAWING		REV <b>C</b>
FINISH: SEE DRAWING NOTES		SCALE: NA		WEIGHT:
		SHEET 1 OF 1		