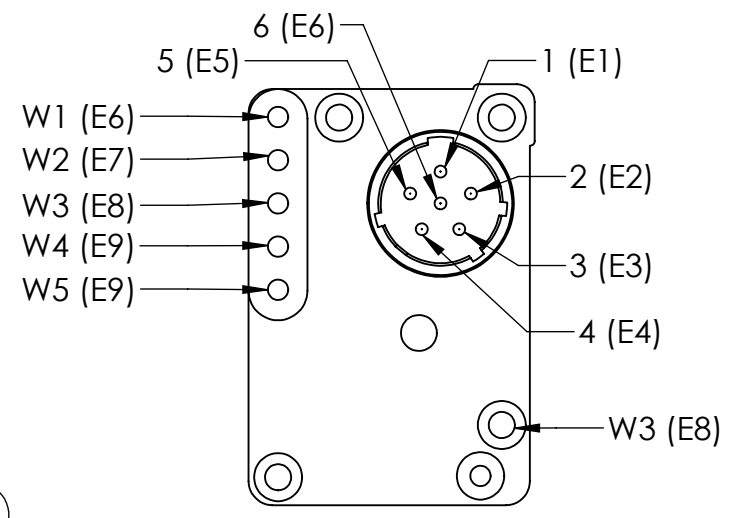
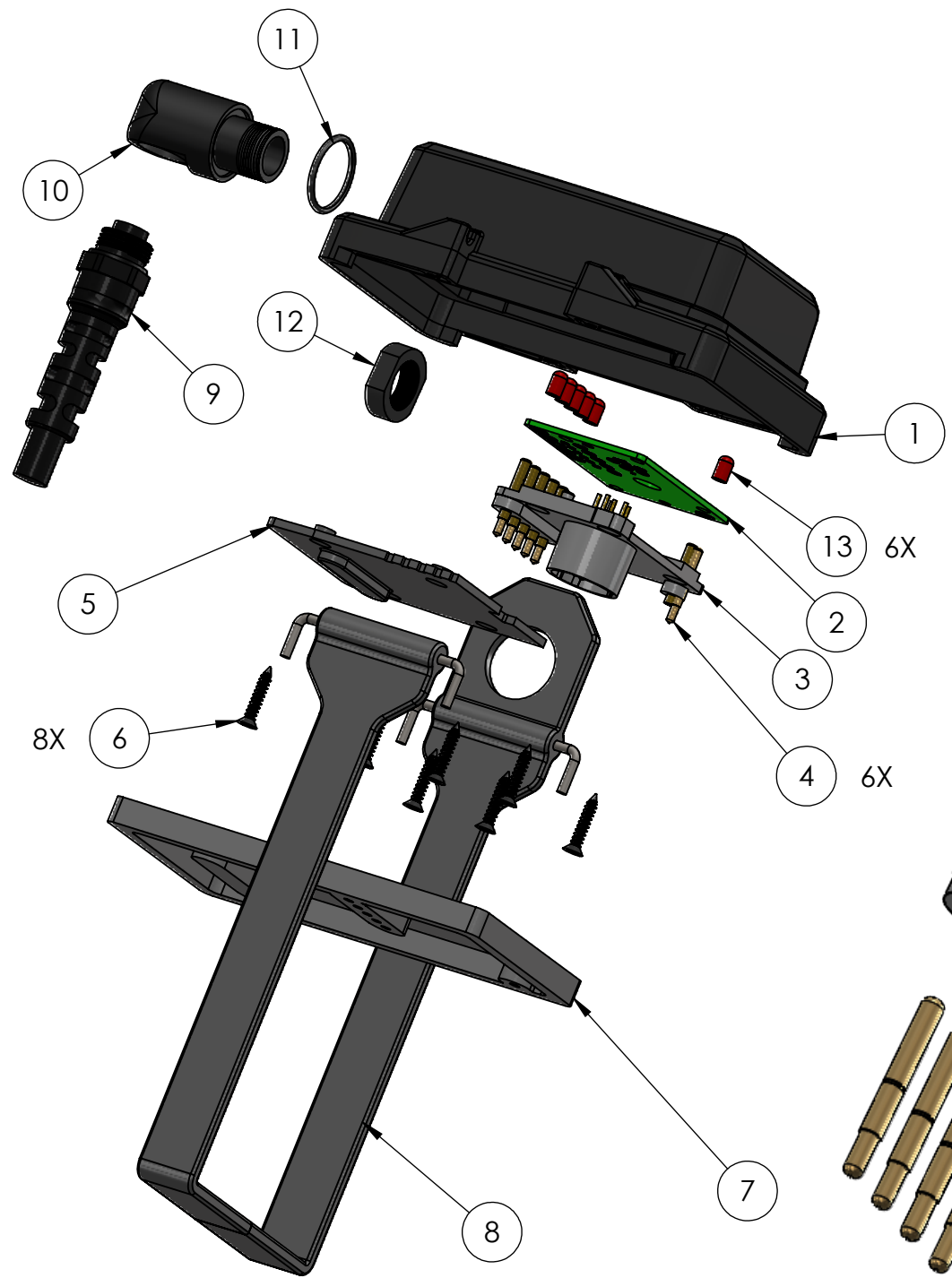


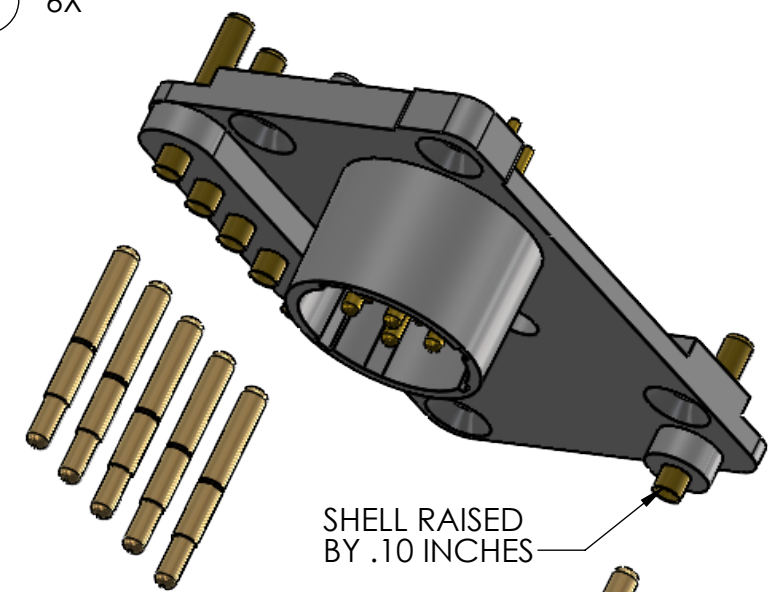
REVISIONS

REV.	DESCRIPTION	DATE	ENG
E	EDITED BOM	06/02/2023	DR
F	UPDATED ITEM NO. 1 & BOM	09/03/2024	CWA
G	UPDATED BOM, ITEM NO. 13 ADDED	10/17/2024	CWA



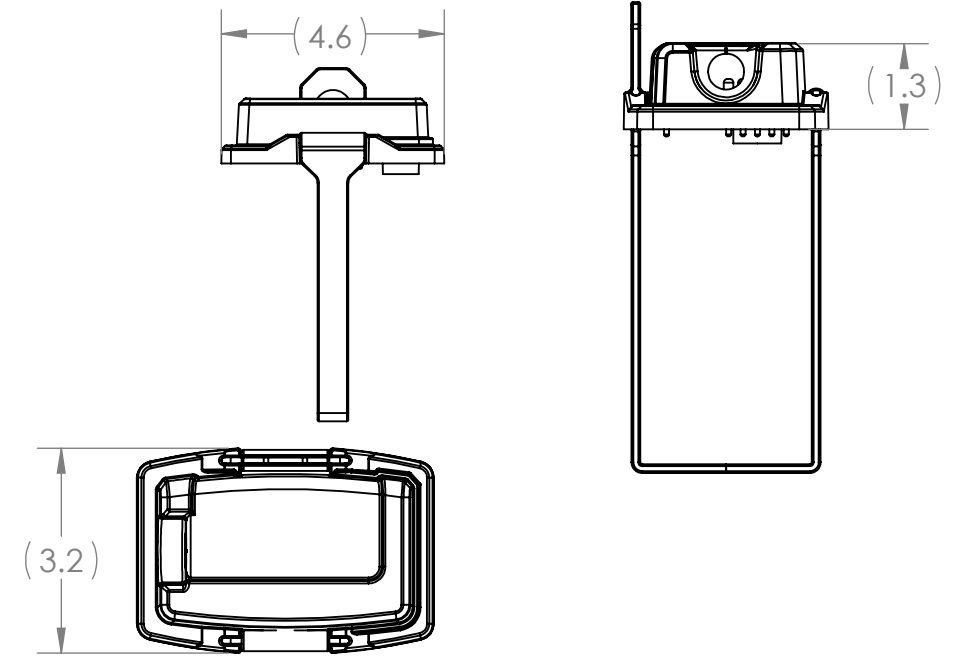
CONNECTOR PINOUT
PCB PINS IN PARENTHESES
(MATING FACE VIEW)

IT IS RECOMMENDED TO RAISE THE POGO PIN SHELLS BY .10 INCHES FOR BETTER CONTACT WITH BATTERY SMBUS. NOTE: POGO PINS WILL STILL CONTACT SMBUS IF NOT RAISED.



SHELL RAISED BY .10 INCHES

POGO PIN



BILL OF MATERIALS.				
ITEM NUMBER	PART NUMBER	QTY	NAME	SUPPLIER CODE
1	SN0132-T	1	BATTERY COVER 9/16-24 THREADED HOLE	SN
2	SN0008-1	1	PCB	SN
3	SN0017-3-A	1	CONNECTOR, 4 KEYWAY, 6 POWER PINS, 6 DATA PIN SHELLS INSTALLED	SN
4	SN0009-1	6	POGO PINS	SN
5	SN0133-1	1	SPACER PLATE	SN
6	SN0012	8	FLAT HEAD 5/8" SCREW	SN
7	SN0270-WT	1	GASKET	SN
8	SN-404-STRAP	1	STRAP ASSEMBLY	SN
9	SN-404-10C2-12	0.5	12FT, 10C CABLE, INCLUDES 9/16 THREADED SR	SN
10	SN0329	1	90 DEG ELBOW	SN
11	9452K59	1	O-RING, BUNA-N	SN
12	SN-1066	1	LOW PROFILE NUT	SN
13	SN0018-1	6	RED NYLON DUST CAPS	SN

- NOTES:
- FOR 12V WIRE SECTION A IN PARALLEL WITH SECTION B.
 - FOR 24V WIRE SECTION A IN SERIES WITH SECTION B.
 - BATTERY NOT INCLUDED.

PROCEDURE FOR INSTALLING 90D WATERTIGHT ELBOW:

- APPLY CYANOACRYLATE ONTO THREAD OF ITEM #9. INSERT ITEM #9 INTO ITEM #10.
- INSERT ITEM #11 ONTO ITEM#10.
- INSERT ITEM #10 INTO ITEM #1.
- PUSH WIRES FROM ITEM #9 THROUGH ITEM #12.
- APPLY CYANOACRYLATE TO THREAD OF ITEM #10. FASTEN ITEM #12 ONTO ITEM #10.

SUPPLIER CODE KEY	
CODE	MEANING
SCS	SUB-CONTRACTOR SOURCED & SUPPLIED
SN	SUPPLYNET SOURCED & SUPPLIED
-L	LONG LEAD TIME ITEM

UNLESS OTHERWISE SPECIFIED:
DIMENSIONS ARE IN: INCHES
TOLERANCES: .XX: ± 0.03
.XXX: ± 0.005
ANGULAR: .X°: 1°
.XX°: 0.5°
BREAK EDGES: .005 - .020
FILLETS: .005 - .020
SURFACE FINISH:
GEOMETRIC TOLERANCING
PER: ASME Y14.5 -2009
MATERIAL: SEE DRAWING NOTES
FINISH: SEE DRAWING NOTES
DO NOT SCALE DRAWING

NAME	DATE
DRAWN	MM 09/17/22
CHECKED	MOB 09/17/22
COMMENTS:	

PROPRIETARY AND CONFIDENTIAL
THE INFORMATION CONTAINED IN THIS DRAWING IS THE SOLE PROPERTY OF SUPPLYNET, INC. ANY REPRODUCTION IN PART OR AS A WHOLE WITHOUT THE WRITTEN PERMISSION OF SUPPLYNET INC. IS PROHIBITED.

CAGE CODE: 1HJX9

REF. NUMBER: SN0405

SupplyNet DESIGN ENGINEERING MANUFACTURING
TITLE: **BB2590 WATER-TIGHT BATTERY COVER W/ SMBUS, INCLUDES 10C CABLE, KIT**

SIZE **B** DWG. NO. **SN-404-KIT-W06R** REV **G**

SCALE: NA WEIGHT: SHEET 1 OF 1