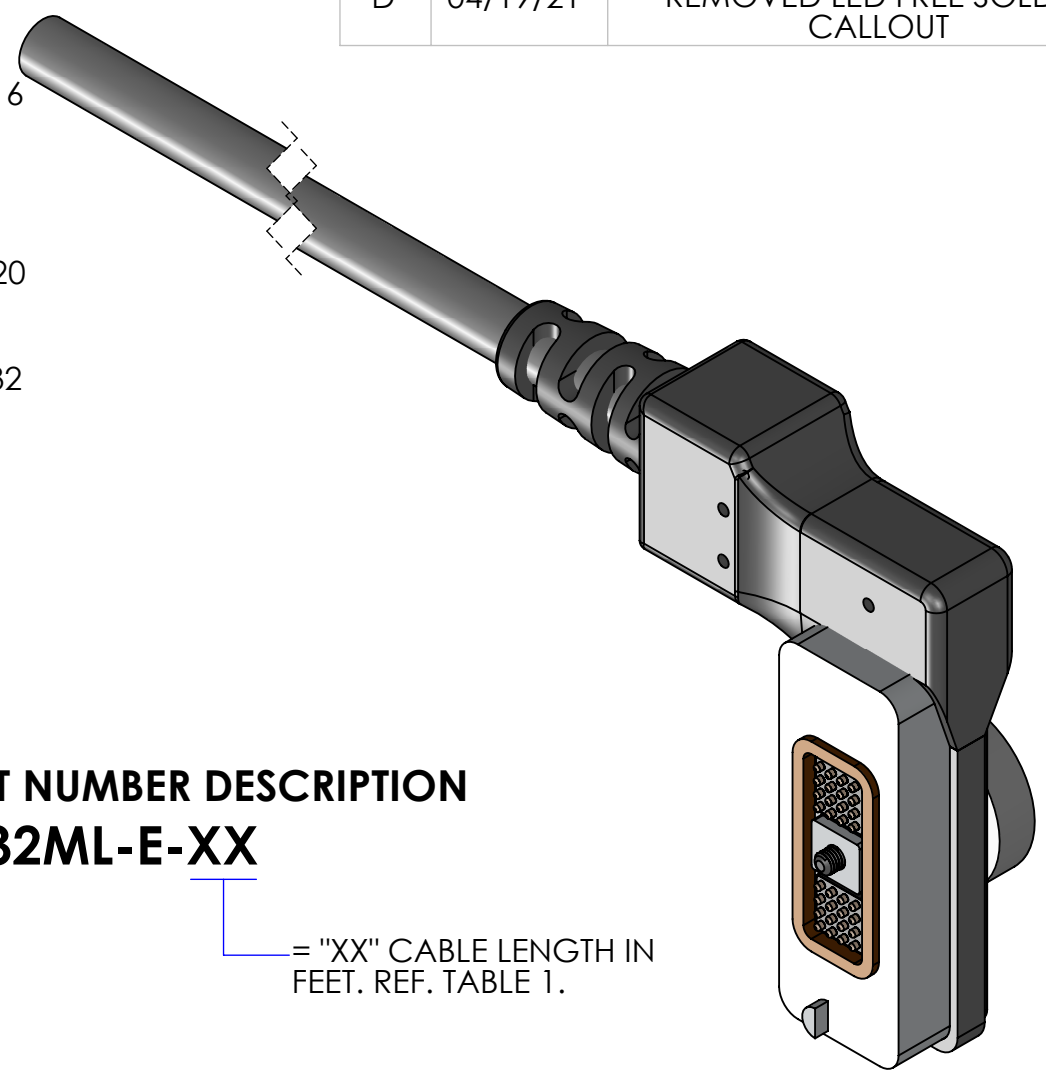
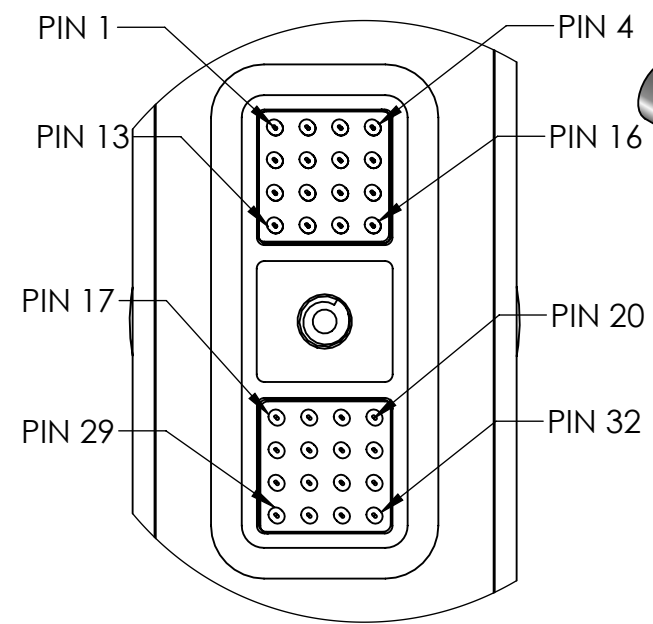


TABLE 1: WIRE LENGTH TABLE		
"-XX" FROM P/N	"XX" DIMENSION (FT.)	TOLERANCE (INCHES)
03	3'	± 2.0"
06	6'	± 4.0"
08	8'	± 4.0"
10	10'	± 4.0"
12	12'	± 5.0"
15	15'	± 5.0"
18	18'	± 5.0"
20	20'	± 5.0"
25	25'	± 6.0"
30	30'	± 6.0"

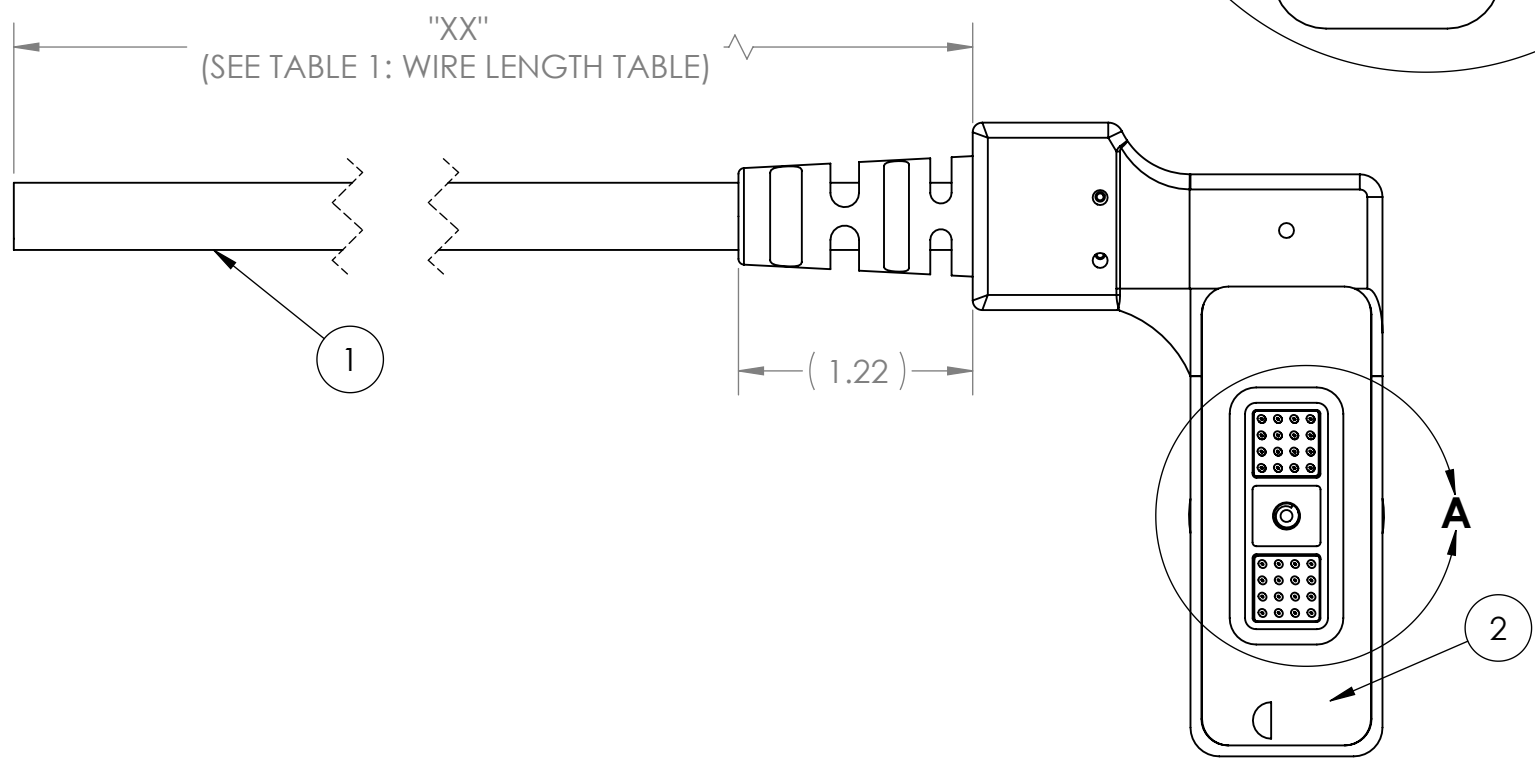
REV	DATE	DESCRIPTION OF CHANGE	ENG
D	04/19/21	REMOVED LED FREE SOLDER CALLOUT	TC

**DETAIL A  
SCALE 2 : 1**



**PART NUMBER DESCRIPTION  
TE-32ML-E-XX**

= "XX" CABLE LENGTH IN FEET. REF. TABLE 1.



**NOTES:**

- CABLE: 26 AWG, 19 CONDUCTOR, OD: 0.270 NOMINAL. POLYURETHANE INSULATION. OUTER SHIELD: 38 AWG, TIN PLATED COPPER BRAID, 90% COVERAGE.
- OVERMOLD MATERIAL: 90A POLYETHER-TYPE THERMOPLASTIC POLYURETHANE (TPU).
- JACKET: BLACK MATTE FINISH.
- E33 AND E34 ARE CHASSIS GROUND
- SOLDERING IAW IPC-J-STD-001 CLASS II AS APPLICABLE.
- CABLE ASSEMBLIES TO BE 100% TESTED FOR CONTINUITY AND SHORTS.
- ALL WIRED PINS TO BE TESTED 100% FOR INSULATION RESISTANCE. (150VDC @100 MOHM MINIMUM) EXCLUDE CHASSIS GROUND FROM THIS TEST.
- IDENTIFICATION: BAG AND IDENTIFY ON PACKAGING THE FOLLOWING INFORMATION FOR EACH PART DELIVERED. UOS PART MARKING ON THE WIRE IS PROHIBITED:  
**PN: TE-32ML-E-XX REV X (REV MARKING PER PO & PN PER DESCRIPTION)**  
**CAGE CODE: 1HJX9**  
**DATE OF MFR: MM/YY**
- WIRING FUNCTION: SEE SHEET 2 TABLE 2 AND DRAWING SN0057.
- MANUFACTURE AND INSPECT IAW IPC/WHMA A-620 CLASS 2.

BILL OF MATERIALS				
ITEM NO.	PART NUMBER	QTY	NAME	COMMENTS
1	51234	AR	WIRE	19 C CABLE
2	TE-32M-ASSY	1	CONNECTOR ASSEMBLY	INCLUDES HOUSING, FASTENERS, THUMBWHEEL. PROVIDED BY SUPPLYNET
3	SN0057	1	PCB	SUPPLYNET PROVIDED.

UNLESS OTHERWISE SPECIFIED:  
 DIMENSIONS ARE IN: INCHES  
 TOLERANCES: .XX: ± 0.03  
 .XXX: ± 0.005  
 ANGULAR: .X°: 1°  
 .XX°: 0.5°  
 BREAK EDGES: .005 - .020  
 FILLETS: .005 - .020  
 SURFACE FINISH:  
 GEOMETRIC TOLERANCING PER: ASME Y14.5 -2009  
 MATERIAL: SEE DRAWING NOTES  
 FINISH: SEE DRAWING NOTES  
 DO NOT SCALE DRAWING

NAME	DATE
DRAWN: RJB	04/02/13
CHECKED: RJB	04/02/16
COMMENTS:	
<b>PROPRIETARY AND CONFIDENTIAL</b> THE INFORMATION CONTAINED IN THIS DRAWING IS THE SOLE PROPERTY OF SUPPLYNET, INC. ANY REPRODUCTION IN PART OR AS A WHOLE WITHOUT THE WRITTEN PERMISSION OF SUPPLYNET INC. IS PROHIBITED.	
<b>CAGE CODE: 1HJX9</b>	

REF. NUMBER: SN0069

**SupplyNet** 706 EXECUTIVE BLVD.  
SUITE B  
VALLEY COTTAGE, NY 10989

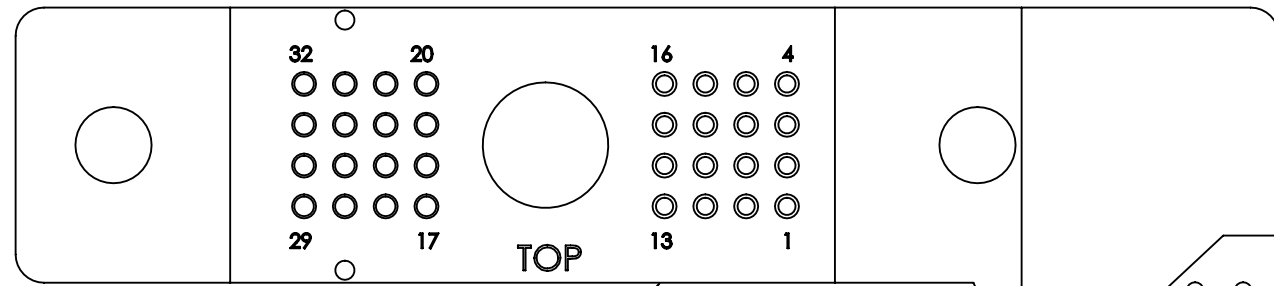
TITLE: FRONT EXIT PRC-117G  
32 PIN DATA CABLE,  
J3 PORT.

SIZE <b>B</b>	DWG. NO. <b>TE-32ML-E-XX</b>	REV <b>D</b>
SCALE: NA	WEIGHT:	SHEET 1 OF 2

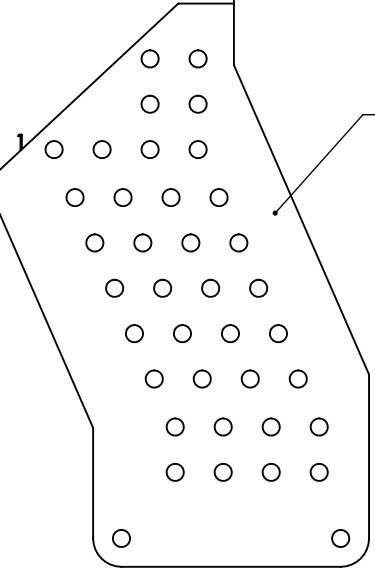
TABLE 2: WIRE RUN LIST	
PIN NUMBER	WIRE COLOR
1	PURPLE
3	DARK BLUE **
7	LIGHT GREEN *
8	WHITE
9	PINK
10	GRAY
15	BROWN
16	RED
17	LIGHT BLUE *
18	YELLOW
19	DARK ORANGE **
20	BLUE
24	GREEN
25	TAN
28	BLACK
29	ORANGE
30	CLEAR
31	DARK GREEN **
32	CLEAR
E33, E34	BRAIDED SHIELD
* OPTIONAL WHITE BAND FOR CLARITY	
** OPTIONAL BLACK BAND FOR CLARITY	

— TWISTED PAIR

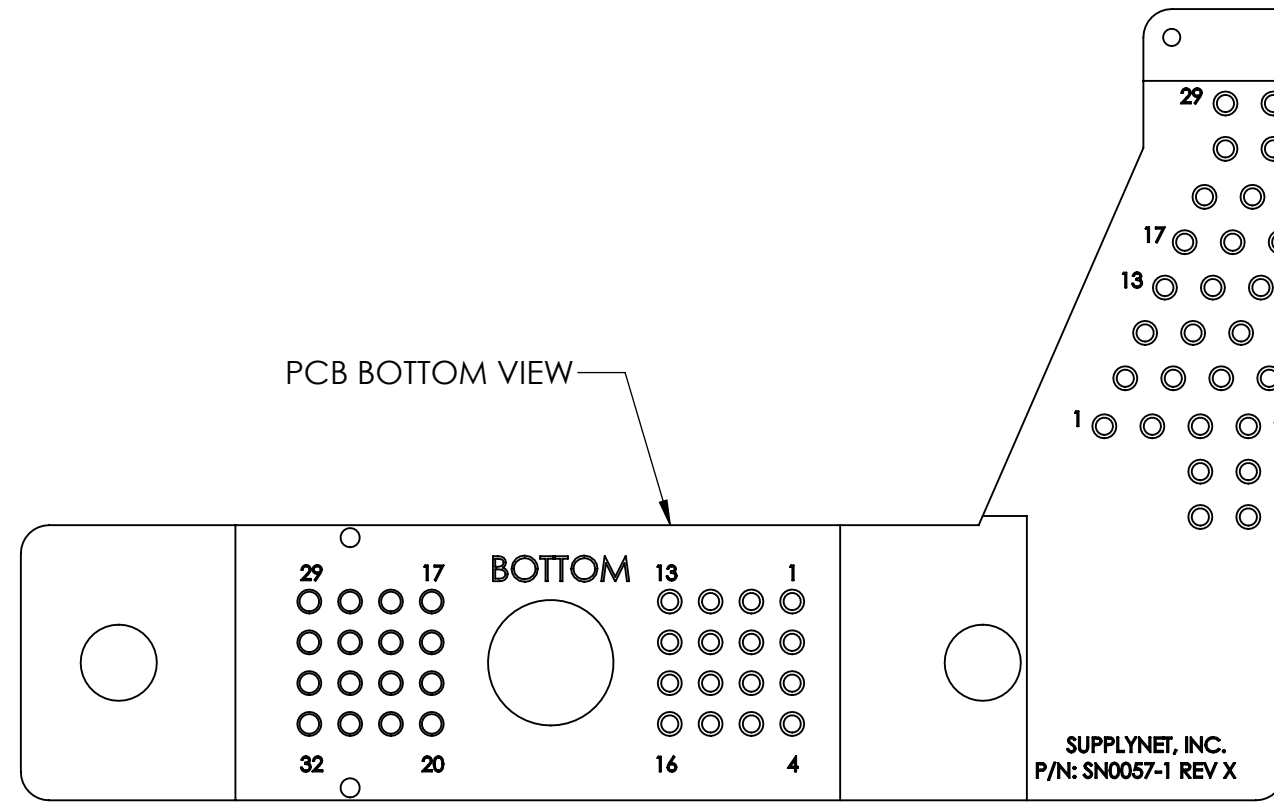
— TWISTED PAIR



PCB TOP VIEW



STIFFENER ON TOP SIDE ONLY.



PCB BOTTOM VIEW

SUPPLYNET, INC.  
P/N: SN0057-1 REV X

REF. NUMBER: SN0069  
**SupplyNet** 706 EXECUTIVE BLVD.  
 SUITE B  
 VALLEY COTTAGE, NY 10989

TITLE:  
 FRONT EXIT PRC-117G  
 32 PIN DATA CABLE,  
 J3 PORT.

**PROPRIETARY AND CONFIDENTIAL**  
 THE INFORMATION CONTAINED IN THIS  
 DRAWING IS THE SOLE PROPERTY OF  
 SUPPLYNET, INC. ANY REPRODUCTION  
 IN PART OR AS A WHOLE WITHOUT THE  
 WRITTEN PERMISSION OF SUPPLYNET INC.  
 IS PROHIBITED.

SIZE <b>B</b>	DWG. NO. <b>TE-32ML-E-XX</b>	REV <b>D</b>
------------------	---------------------------------	-----------------

**CAGE CODE: 1HJX9** SCALE: NA WEIGHT: SHEET 2 OF 2