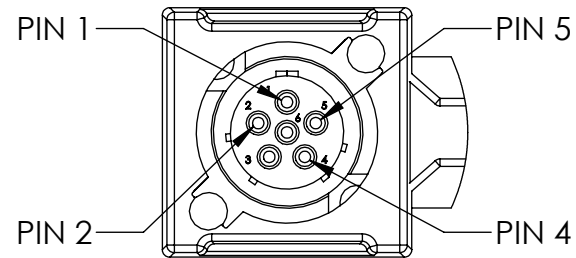
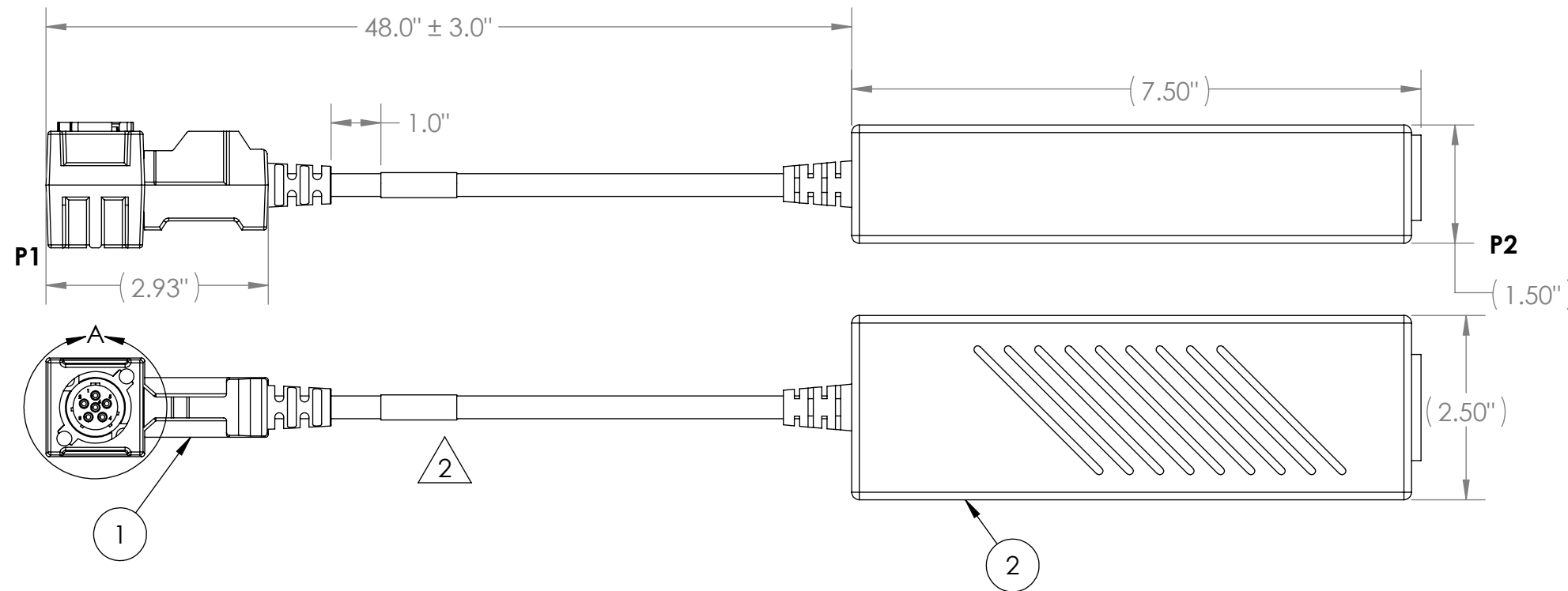
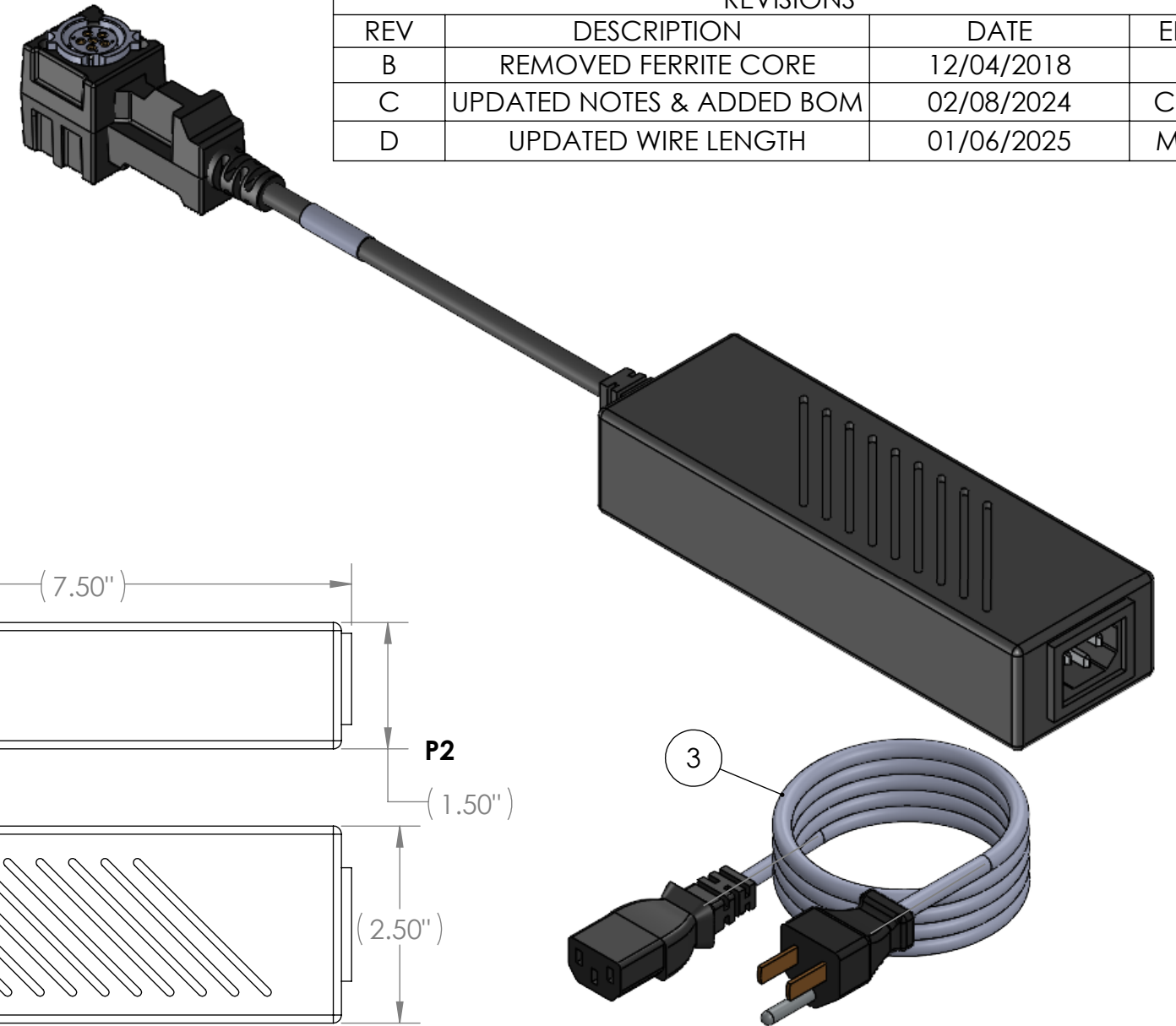


| WIRE RUN LIST | | |
|-----------------------|----------------|----------------------|
| P1 (BA5590 FEMALE) | WIRE COLORS | P2 (POWER SUPPLY) |
| 1 | YELLOW | GROUND (-) |
| 2 | BLACK | GROUND (-) |
| 4 | WHITE | 12V (+) |
| 5 | RED | 12V (+) |



DETAIL A
P1 PIN LAYOUT
SCALE 1 : 1

| REVISIONS | | | |
|-----------|---------------------------|------------|-----|
| REV | DESCRIPTION | DATE | ENG |
| B | REMOVED FERRITE CORE | 12/04/2018 | LS |
| C | UPDATED NOTES & ADDED BOM | 02/08/2024 | CWA |
| D | UPDATED WIRE LENGTH | 01/06/2025 | MOB |



NOTES:

- WIRING SHALL BE DONE IN ACCORDANCE WITH TABLE 1 WIRE RUN LIST.
- MARKING REQUIREMENTS:
 - LABEL(S) SHALL BE MARKED IN ACCORDANCE WITH MIL-STD-130 AS APPLICABLE.
 - LABEL(S) SHALL BE WHITE WITH BLACK TEXT.
 - LABEL(S) SHALL BE PLACED WHERE SHOWN IN DRAWING.
 - ADHESIVE WRAP AROUND LABEL(S) MAY BE USED.
 - LABEL SHALL BE MARKED WITH THE BELOW INFORMATION ONLY. REV MARKING PER PO.
(YYYY=YEAR OF MFG, MM=MONTH OF MFG, DD=DAY OF MFG, XXXX=PO NUMBER)
PN: SN-12V-01 REV.X
CAGE: 1HJX9
LOT: TYYYYMMDDPXXXXX
- PACKAGING REQUIREMENTS:
 - EACH COMPLETED ASSEMBLY SHALL BE PACKAGED IN A 8.0"x10.0" 4MIL MIN. THICK ZIP POLYBAG.
 - CONNECTOR(S) SHALL BE PACKAGED TO PREVENT DAMAGE DURING SHIPPING. BUBBLE WRAP OR PROTECTIVE COVER MUST BE USED.
 - POLYBAG SHALL BE MARKED WITH SUPPLYNET LOGO, PRODUCT QR CODE, PART NUMBER, CAGE CODE, AND LOT NO, PER SN-STD-LBL REQUIREMENTS.
- WORKMANSHIP REQUIREMENTS:
 - MANUFACTURE TO IAW/WHMA A-620 CLASS 2 REQUIREMENTS.
 - SOLDERING SHALL BE COMPLIANT WITH IAW J-STD-001 AS APPLICABLE.
 - CONNECTOR(S) AND WIRE SHALL BE FREE FROM ANY SCRATCHES, CHIPS, AND DEFECTS.
- INSPECTION REQUIREMENTS:
 - EACH COMPLETED ASSEMBLY TO BE 100% TESTED FOR SHORTS, CONTINUITY, AND JACKET RESISTANCE (250V @100MOHM MIN.)
 - INSPECT TO IPC/WHMA A-620 CLASS 2 REQUIREMENTS.
- INPUT VOLTAGE: 100 - 240 VAC.
- OUTPUT VOLTAGE: 12VDC @ 12.5 AMPS.

| BILL OF MATERIALS | | | |
|-------------------|--------------------|-----|---|
| ITEM NO. | PART NO. | QTY | NAME/DESCRIPTION |
| 1 | CONN-BA5590-F | 1 | BA 5590 FEMALE CONNECTOR |
| 2 | 680-MWA150012A-12A | 1 | 12V,12.5A 150 WATT POWER SUPPLY (MEDICAL GRADE) |
| 3 | POWERCORD2 | 1 | AC POWERCORD NEMA 5-15P TO IEC-320 C12 |

| | | |
|--|--|------------|
| UNLESS OTHERWISE SPECIFIED: | NAME | DATE |
| DIMENSIONS ARE IN: INCHES | DRAWN | LS 1/15/13 |
| TOLERANCES: .XX: ± 0.03 | CHECKED | RB 1/15/13 |
| .XXX: ± 0.005 | COMMENTS: | |
| ANGULAR: .X°: 1° | PROPRIETARY AND CONFIDENTIAL | |
| .XX°: 0.5° | THE INFORMATION CONTAINED IN THIS DRAWING IS THE SOLE PROPERTY OF SUPPLYNET, INC. ANY REPRODUCTION IN PART OR AS A WHOLE WITHOUT THE WRITTEN PERMISSION OF SUPPLYNET INC. IS PROHIBITED. | |
| BREAK EDGES: .005 - .020 | CAGE CODE: 1HJX9 | |
| FILLETS: .005 - .020 | SCALE: NA WEIGHT: SHEET 1 OF 1 | |
| SURFACE FINISH: | REV D | |
| GEOMETRIC TOLERANCING PER: ASME Y14.5-2009 | DWG. NO. SN-12V-01 | |
| MATERIAL: SEE DRAWING NOTES | SIZE B | |
| FINISH: SEE DRAWING NOTES | DO NOT SCALE DRAWING | |

REF. NUMBER: SN0235

TITLE: 12 V POWER SUPPLY WITH BA5590 FEMALE CONNECTOR

SIZE B DWG. NO. SN-12V-01 REV D