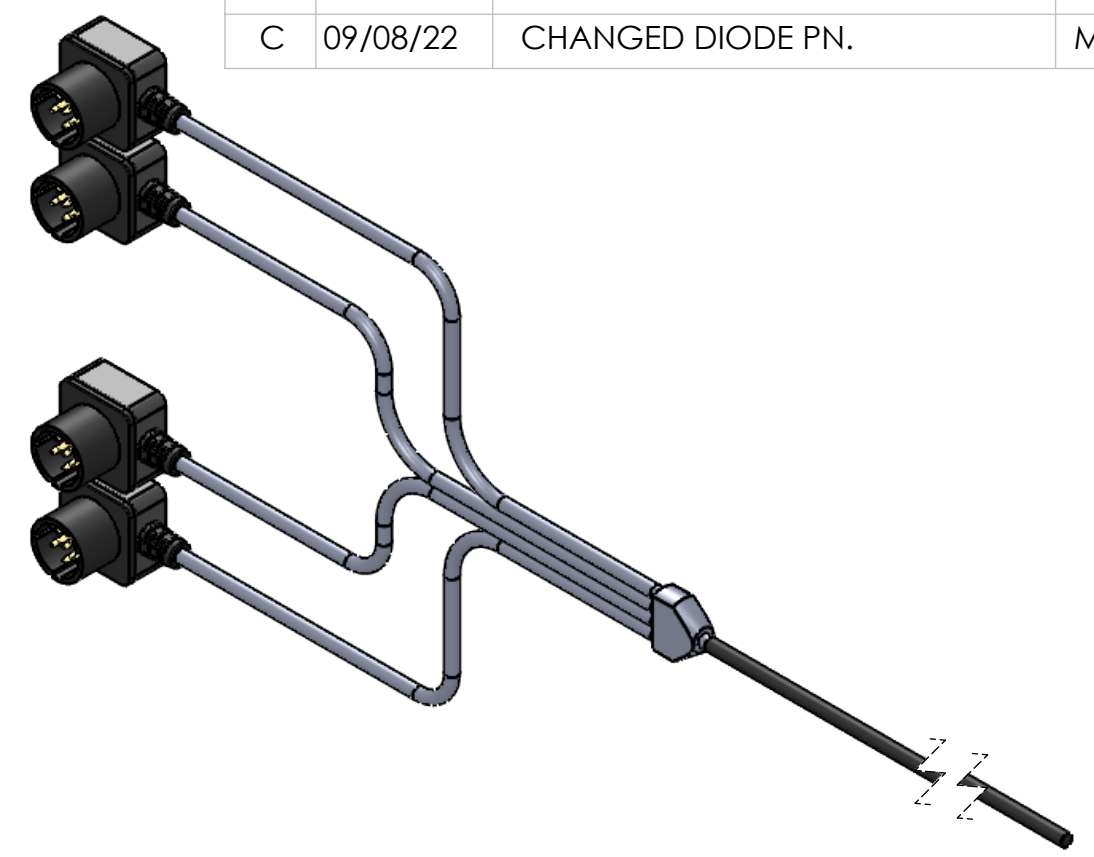
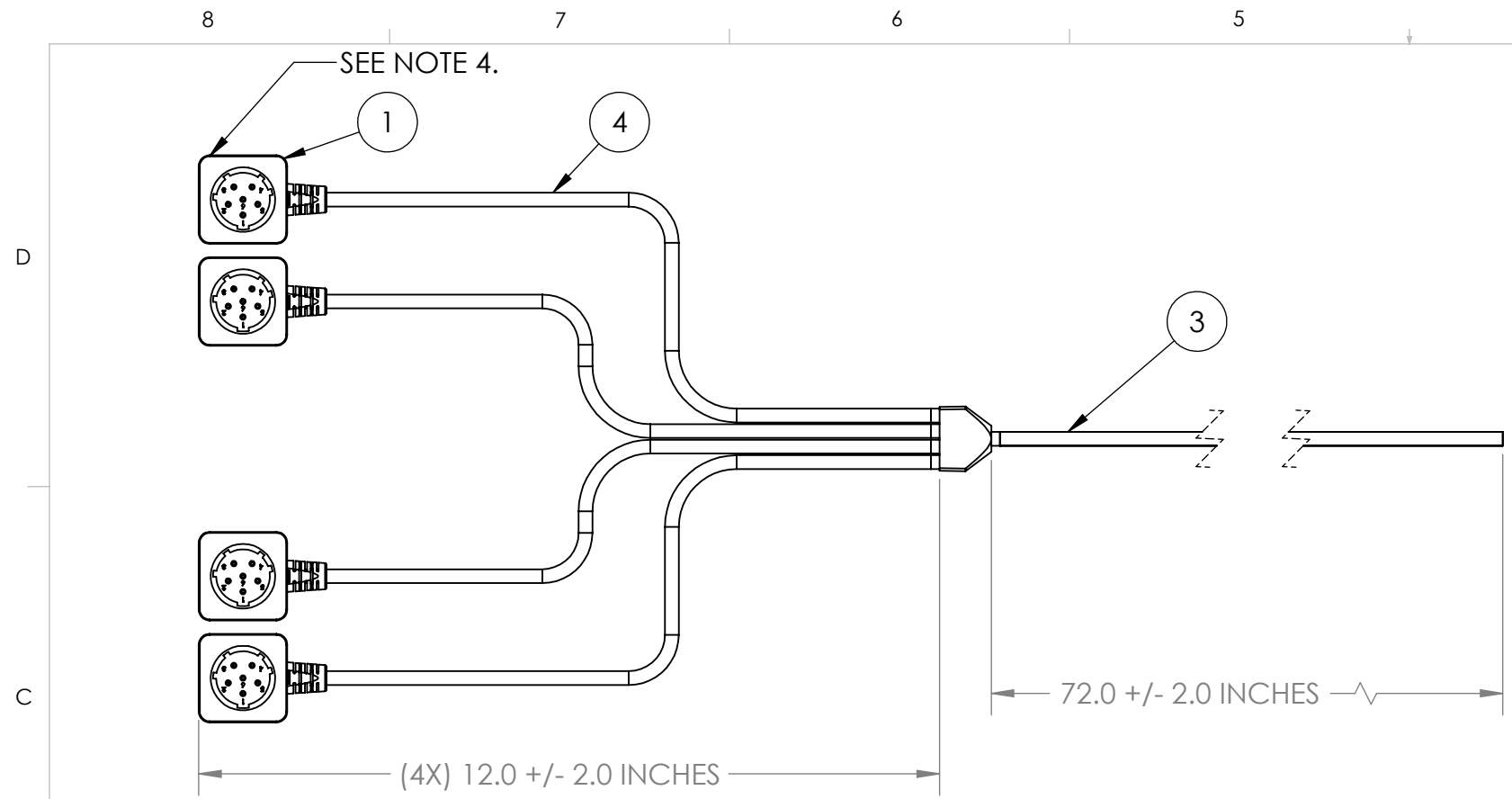
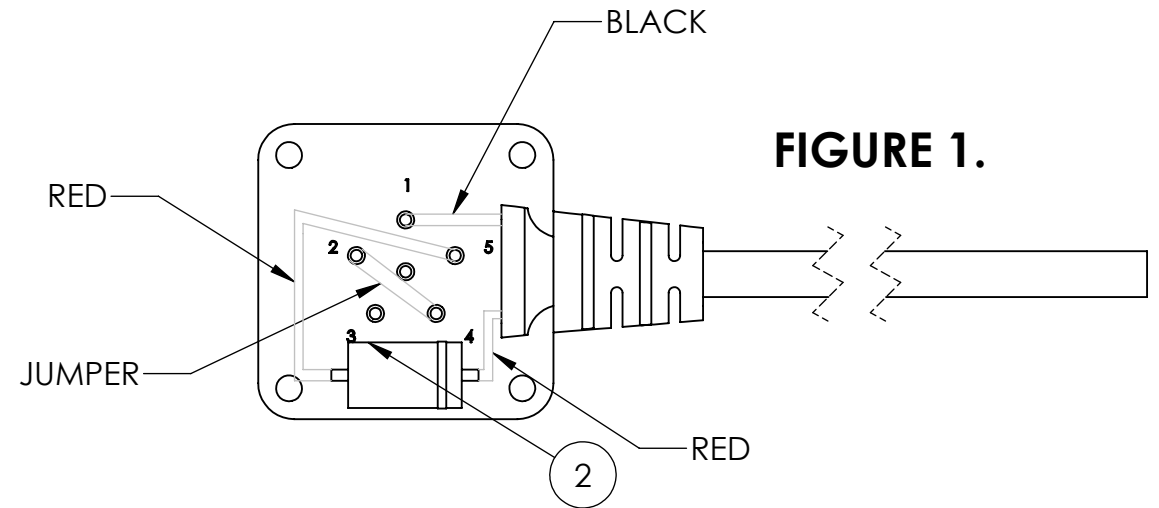


REV	DATE	DESCRIPTION OF CHANGE	ENG
C	09/08/22	CHANGED DIODE PN.	MOB



ITEM 4 WIRE COLOR	BA5590-MP PIN
BLACK	1
RED	5
	2,4 JUMPED

ITEM NO.	PART NUMBER	QTY	NAME	COMMENTS
1	CONN-BA5590-MVS	4	CONNECTOR ASSY	BA5590 MALE BATTERY CONNECTOR WITH VELCRO STRAP.
2	SBM1060LLS_AY_00001	4	RECTIFIER DIODE	60V, 10A, DIODE
3		74"	18 AWG WIRE	2C CABLE. 5.0MM OD.
4	UL1332 TEFLON	50"	20 AWG WIRE	2C CABLE. 4.6MM OD.

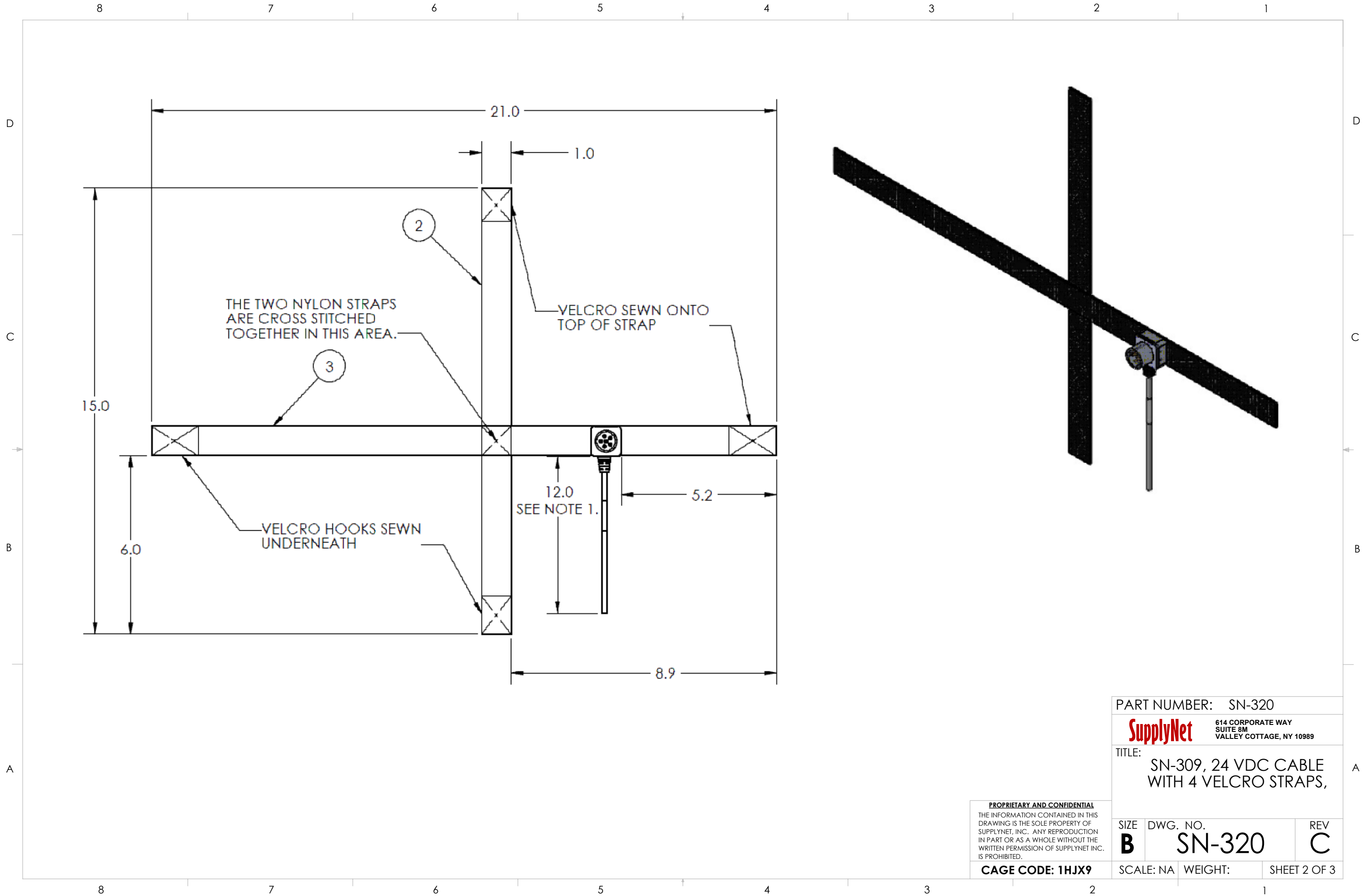


- NOTES:
- DISTANCE TO 4 WAY SPLITTER.
 - ITEMS SHOWN ON SHEETS 2 AND 3 ARE FOR ONE (1) CONNECTION INTERFACE. THE SN-320 HAS 4 BATTERY CONNECTIONS
 - REFERENCE SUPPLYNET FILE NUMBER SN0232.
 - EACH CONNECTOR HAS A VELCRO SECURING HARNESS. SEE SHEETS 2 AND 3 FOR STRAP DETAILS AND ASSEMBLY.
 - CONNECT WIRING PER TABLE 1 AND FIGURE 1.

UNLESS OTHERWISE SPECIFIED:		NAME	DATE
DIMENSIONS ARE IN: INCHES		DRAWN	RJB 11/05/13
TOLERANCES: .XX: ± 0.03		CHECKED	RJB 11/05/13
.XXX: ± 0.005		COMMENTS:	
ANGULAR: .X°: 1°		<p>PROPRIETARY AND CONFIDENTIAL</p> <p>THE INFORMATION CONTAINED IN THIS DRAWING IS THE SOLE PROPERTY OF SUPPLYNET, INC. ANY REPRODUCTION IN PART OR AS A WHOLE WITHOUT THE WRITTEN PERMISSION OF SUPPLYNET INC. IS PROHIBITED.</p>	
.XX': 0.5°		<p>GEOMETRIC TOLERANCING PER: ASME Y14.5-2009</p>	
BREAK EDGES: .005 - .020		<p>MATERIAL: SEE DRAWING NOTES</p>	
FILLETS: .005 - .020		<p>FINISH: SEE DRAWING NOTES</p>	
SURFACE FINISH:		<p>DO NOT SCALE DRAWING</p>	

PART NUMBER: SN-320		
614 CORPORATE WAY SUITE 8M VALLEY COTTAGE, NY 10989		
TITLE: SN-309, 24 VDC CABLE WITH 4 VELCRO STRAPS,		
SIZE	DWG. NO.	REV
B	SN-320	C
SCALE: NA	WEIGHT:	SHEET 1 OF 3

CAGE CODE: 1HJX9




THE TWO NYLON STRAPS
ARE CROSS STITCHED
TOGETHER IN THIS AREA.

VELCRO SEWN ONTO
TOP OF STRAP

VELCRO HOOKS SEWN
UNDERNEATH

12.0
SEE NOTE 1.

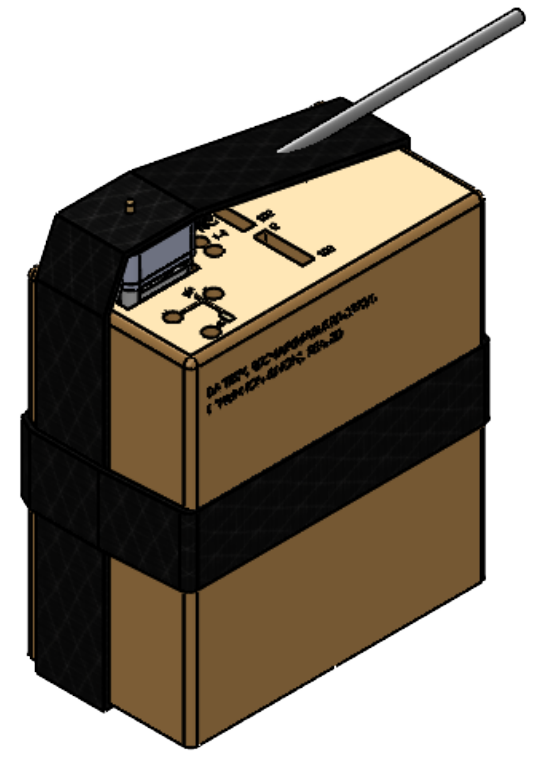
PART NUMBER: SN-320		
 614 CORPORATE WAY SUITE 8M VALLEY COTTAGE, NY 10989		
TITLE: SN-309, 24 VDC CABLE WITH 4 VELCRO STRAPS,		
SIZE B	DWG. NO. SN-320	REV C
CAGE CODE: 1HJX9	SCALE: NA	WEIGHT: SHEET 2 OF 3

PROPRIETARY AND CONFIDENTIAL
 THE INFORMATION CONTAINED IN THIS
 DRAWING IS THE SOLE PROPERTY OF
 SUPPLYNET, INC. ANY REPRODUCTION
 IN PART OR AS A WHOLE WITHOUT THE
 WRITTEN PERMISSION OF SUPPLYNET INC.
 IS PROHIBITED.

8 7 6 5 4 3 2 1

D
C
B
A

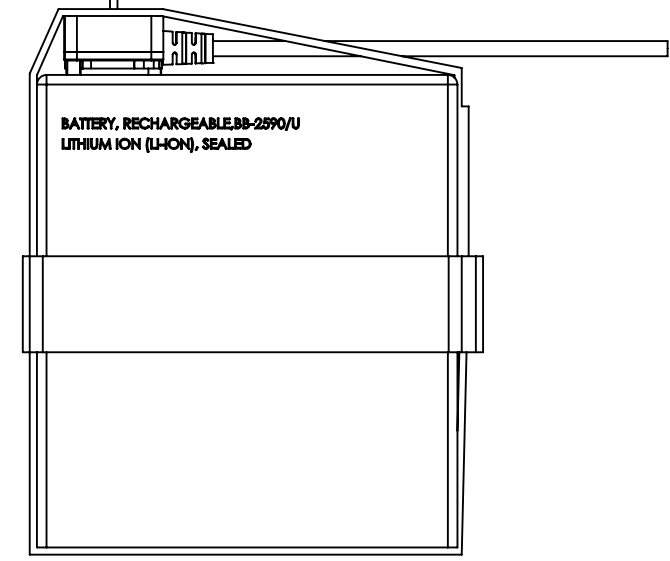
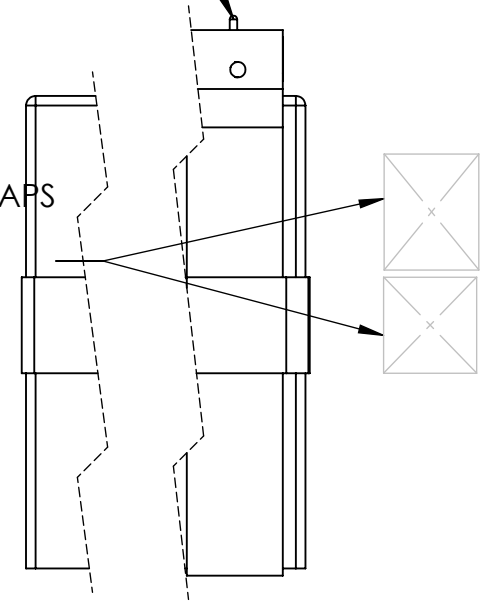
D
C
B
A



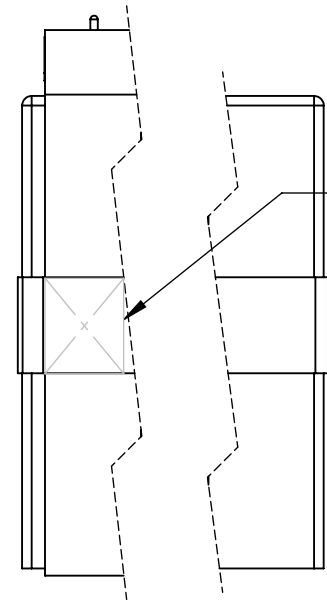
NYLON STRAP IS ATTACHED AT THE CENTER OF THE BA5590 BACKSHELL WITH A RIVET.

4

VELCRO HOOKS AND STRAPS ATTACH TO EACH OTHER AT THESE 2 PLACES



A CROSS STITCH CONNECTS THE TWO STRAPS AT THIS LOCATION.



PART NUMBER: SN-320		
SupplyNet 614 CORPORATE WAY SUITE 8M VALLEY COTTAGE, NY 10989		
TITLE: SN-309, 24 VDC CABLE WITH 4 VELCRO STRAPS,		
SIZE B	DWG. NO. SN-320	REV C
CAGE CODE: 1HJX9	SCALE: NA	WEIGHT: SHEET 3 OF 3

PROPRIETARY AND CONFIDENTIAL
THE INFORMATION CONTAINED IN THIS DRAWING IS THE SOLE PROPERTY OF SUPPLYNET, INC. ANY REPRODUCTION IN PART OR AS A WHOLE WITHOUT THE WRITTEN PERMISSION OF SUPPLYNET INC. IS PROHIBITED.

8 7 6 5 4 3 2 1