

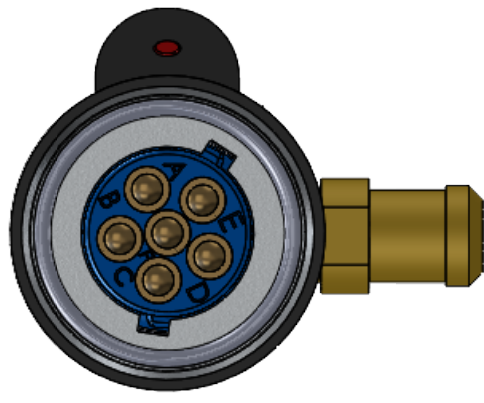
8 7 6 5 4 3 2 1

REVISIONS			
REV	DESCRIPTION	DATE	ENG
B	CORRECTED CONFIG DESIGNATIONS, ADDED CONFIG G	01/15/2020	MOB
C	UPDATED MODEL; ITEM NO. 3 UPDATED	03/13/2025	CWA

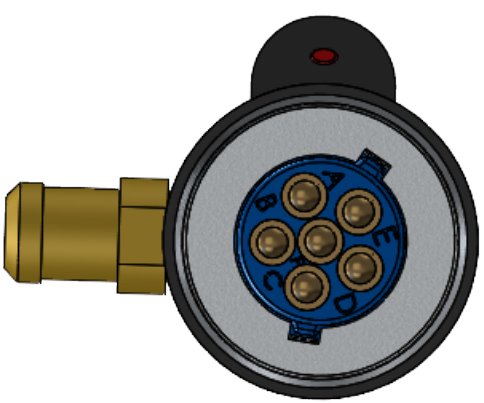
"A"
45° CONFIGURATION
SN-909-A-KIT



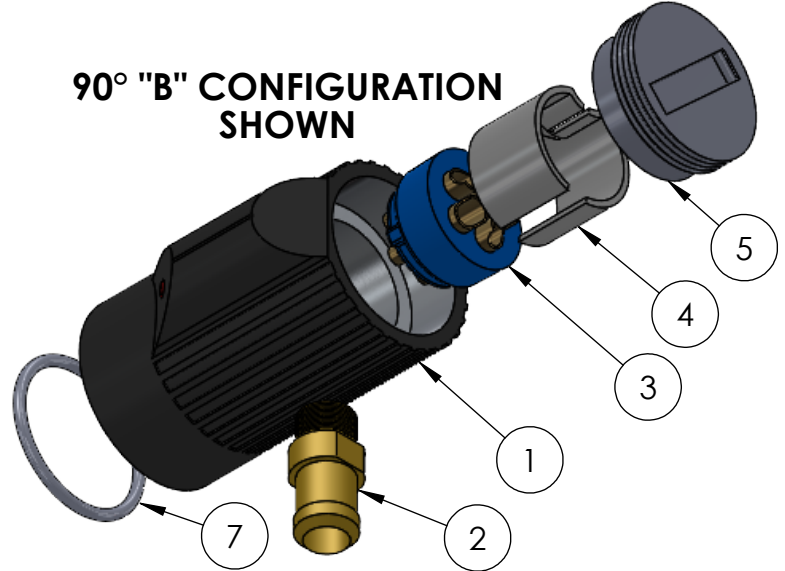
"B"
90° CONFIGURATION
SN-909-B-KIT



"C"
270° CONFIGURATION
SN-909-C-KIT



"D"
180° CONFIGURATION
SN-909-D-KIT



"E"
225° CONFIGURATION
SN-909-E-KIT



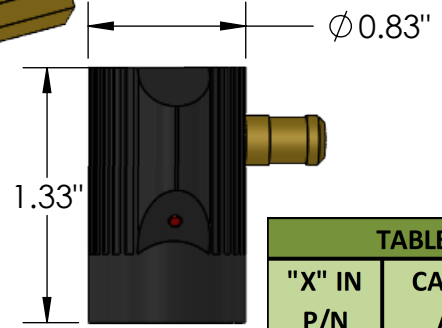
"F"
135° CONFIGURATION
SN-909-F-KIT



"G"
165° CONFIGURATION
SN-909-G-KIT



"H"
315° CONFIGURATION
SN-909-H-KIT



BILL OF MATERIALS			
ITEM NO.	PART NUMBER	QTY	NAME
1 (SEE TABLE 1 FOR PART SELECTION)	SN-M55116/4-3-45	1	SHELL WITH 45° THREADED HOLE
	SN-M55116/4-3-90		SHELL WITH 90° THREADED HOLE
	SN-M55116/4-3-135		SHELL WITH 135° THREADED HOLE
	SN-M55116/4-3-165		SHELL WITH 165° THREADED HOLE
	SN-M55116/4-3-180		SHELL WITH 180° THREADED HOLE
	SN-M55116/4-3-225		SHELL WITH 225° THREADED HOLE
	SN-M55116/4-3-270		SHELL WITH 270° THREADED HOLE
	SN-M55116/4-3-315		SHELL WITH 315° THREADED HOLE
2	SN-M55116/4-3-BP	1	THREADED BANDING PLATFORM
3	44-3295	1	6 PIN CONNECTOR
4	44-109	1	PLASTIC STANDOFF
5	SN-M55116/4-3-PLUG	1	BACK PLUG
6	55-127	1	SMALL (INNER) O-RING

CONNECTOR TERMINATION:

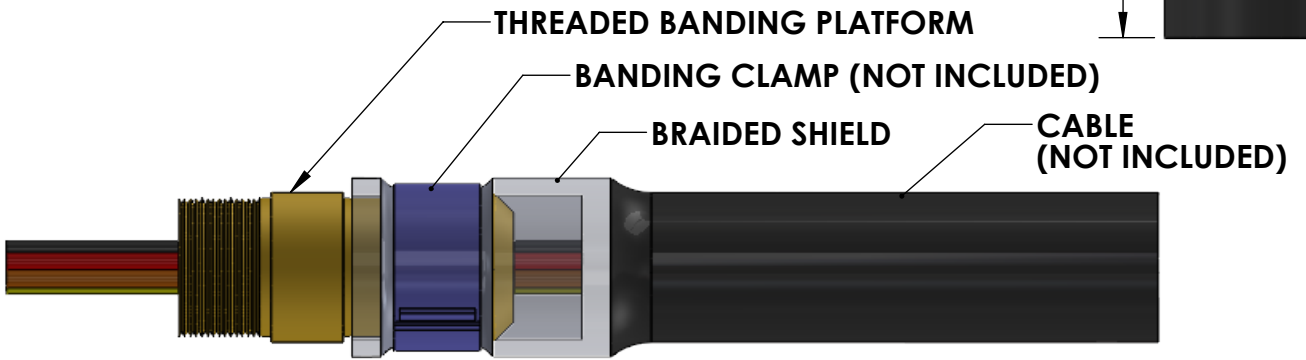


TABLE 1: ITEM #1 SELECTION		
"X" IN P/N	CABLE EXIT ANGLE	ITEM #1 P/N
A	45°	SN-M55116/4-3-45
B	90°	SN-M55116/4-3-90
C	270°	SN-M55116/4-3-270
D	180°	SN-M55116/4-3-180
E	225°	SN-M55116/4-3-225
F	135°	SN-M55116/4-3-135
G	165°	SN-M55116/4-3-165
H	315°	SN-M55116/4-3-315

UNLESS OTHERWISE SPECIFIED:
 DIMENSIONS ARE IN: INCHES
 TOLERANCES: .XX: ± 0.03
 .XXX: ± 0.005
 ANGULAR: .X°: 1°
 .XX°: 0.5°
 BREAK EDGES: .005 - .020
 FILLETS: .005 - .020
 SURFACE FINISH:
 GEOMETRIC TOLERANCING PER: ASME Y14.5 -2009
 MATERIAL: SEE DRAWING NOTES
 FINISH: SEE DRAWING NOTES

NAME	DATE
DRAWN LS	07/24/18
CHECKED TC	07/24/18

REF. NUMBER: SN0469

SupplyNet DESIGN ENGINEERING MANUFACTURING

TITLE: **ANGLED AUDIO CABLE KIT, VARIABLE ANGLE**

SIZE **B** DWG. NO. **SN-909-X-KIT** REV **C**

CAGE CODE: 1HJX9 SCALE: NA WEIGHT: SHEET 1 OF 1

8 7 6 5 4 3 2 1