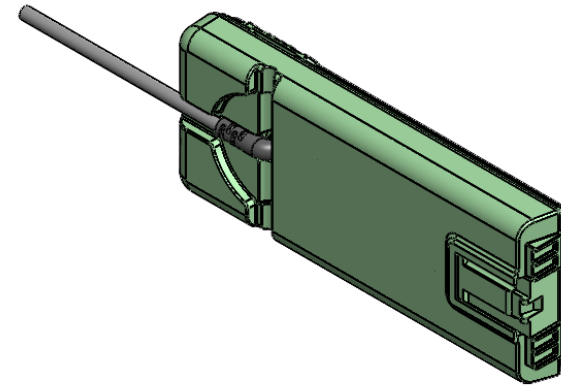
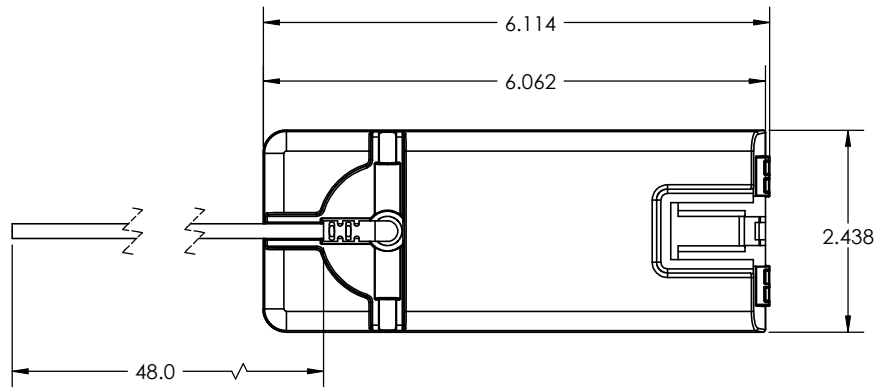


REV	DATE	DESCRIPTION OF CHANGE	ENG
D	04/24/14	REVISED. SEE DCN SN0004D	RJB



- NOTES:
- 1) ASSEMBLE AND WIRE PER MI SN0004.
 - 2) PN SN0004-1 DEPICTED ON SHEETS 1 AND 2.
 - 3) PN'S SN0004-2 AND SN0004-3 DEPICTED ON SHEET 3.
 - 4) INPUT POWER: +7 TO +16 VDC AT 3.5 AMPS PEAK.
 - 5) WEIGHT: 5.0 OZS. MAX.
 - 6) ON NON-REGULATED ASSEMBLIES USE ITEM 12 TO SOLDER DIRECTLY FROM CABLE (ITEM 5) TO CONTACT PINS. SEE SHEET 2.
 - 7) ON REGULATED DESIGNS USE ITEM 12 TO SOLDER PER SHEET 4.
 - 8) REMOVE CAPACITORS AND REPLACE WITH PN: TR3D107K020C0080. (100 UF) MAINTAIN POLARITY.

**PN CONVENTION:
SN0004-X-Y**

R = REGULATED (12 VDC OUTPUT)
N = NO REGULATION.

SEE SHEET 3
1 = CENTER EXIT
2 = LEFT EXIT
3 = RIGHT EXIT

RELEASED: DOCUMENT CONTROLLED PER ER 1003

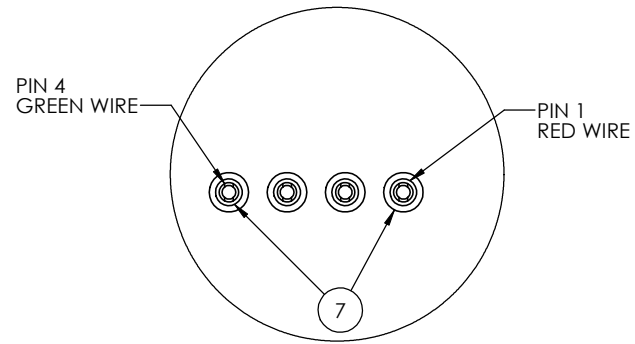
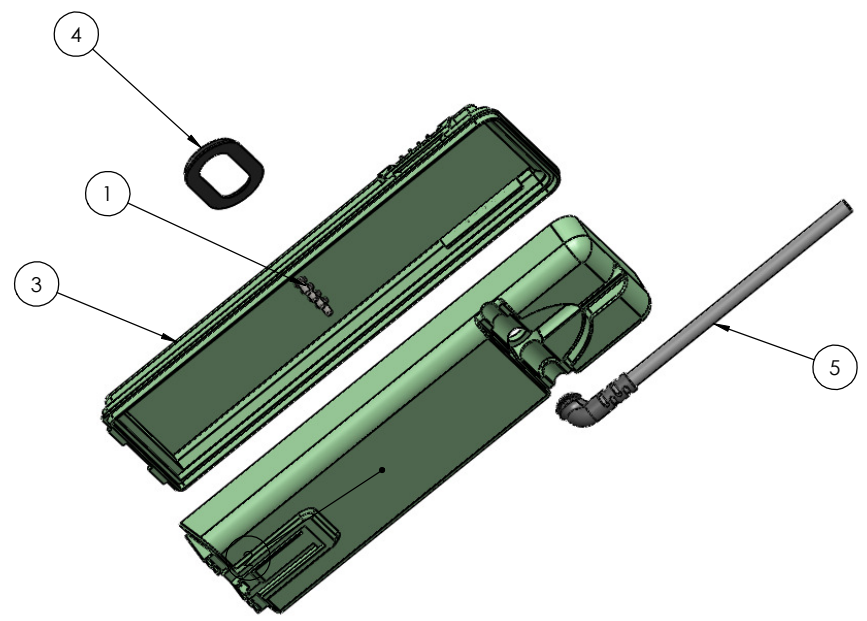
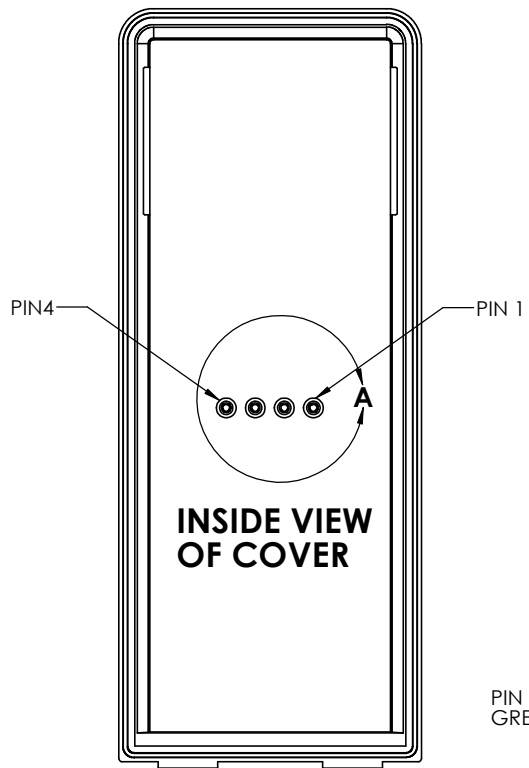
BILL OF MATERIALS						
SN0004 HOUSING ASSEMBLY						
ITEM NO.	QTY PER ASSEMBLY			PART NUMBER	NAME	COMMENTS
1	4	4	4	SN0001-1	CONTACT PIN	SOLDER TERMINATION. INTEGRAL TO ITEM 3
2	1	-	-	SN0002-1	TOP COVER	BOTTOM WIRE EXIT
2	-	1	-	SN0002-2	TOP COVER	LEFT SIDE WIRE EXIT
2	-	-	1	SN0002-3	TOP COVER	RIGHT SIDE WIRE EXIT
3	1	1	1	SN0003-1	BOTTOM COVER	
4	1	1	1	SN0005-1	GASKET	VITON
5	1	-	-	SN0022-1	STRAIN RELIEF & CABLE	2 WIRE
6	-	1	1	SN0039-1	STRAIN RELIEF & CABLE	2 WIRE
7	AR	AR	AR	DOW PN 3145	POTTING (RTV)	MIL-A-46146
8	AR	AR	AR	SN0042-1	INDUSTRIAL ADHESIVE	RX GEL
	SN0004-1-N	SN0004-2-N	SN0004-3-N			

UNLESS OTHERWISE SPECIFIED:		NAME		DATE		PART NUMBER: SN0004-X-Y			
DIMENSIONS ARE IN: INCHES		DRAWN	RJB	02/13/13		 614 CORPORATE WAY SUITE 8H VALLEY COTTAGE, NY 10989			
TOLERANCES: .XX: ± 0.03 .XXX: ± 0.005		CHECKED	RJB	02/13/13				TITLE:	
ANGULAR: .X*.1 .XX*.0.5*		COMMENTS:				HOUSING ASSEMBLY			
BREAK EDGES: .005 - .020 FILLETS: .005 - .020 SURFACE FINISH:		PROPRIETARY AND CONFIDENTIAL THE INFORMATION CONTAINED IN THIS DRAWING IS THE SOLE PROPERTY OF SUPPLYNET, INC. ANY REPRODUCTION IN PART OR AS A WHOLE WITHOUT THE WRITTEN PERMISSION OF SUPPLYNET INC. IS PROHIBITED.						SIZE	DWG. NO.
GEOMETRIC TOLERANCING PER: ASME Y14.5-2009		CAGE CODE: 1HJX9		SCALE: NA		WEIGHT:		SHEET 1 OF 4	
MATERIAL: SEE DRAWING NOTES						B		SN0004	D
FINISH: SEE DRAWING NOTES									
DO NOT SCALE DRAWING									

8 7 6 5 4 3 2 1

D
C
B
A

D
C
B
A



8 7 6 5 4 3 2 1

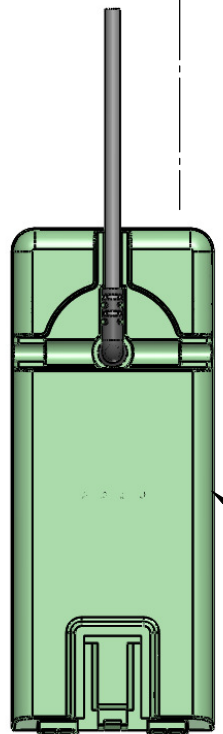
PROPRIETARY AND CONFIDENTIAL
 THE INFORMATION CONTAINED IN THIS DRAWING IS THE SOLE PROPERTY OF SUPPLYNET, INC. ANY REPRODUCTION IN PART OR AS A WHOLE WITHOUT THE WRITTEN PERMISSION OF SUPPLYNET INC. IS PROHIBITED.

PART NUMBER: SN0004-X-Y		
SupplyNet 614 CORPORATE WAY SUITE 8M VALLEY COTTAGE, NY 10989		
TITLE:		
HOUSING ASSEMBLY		
SIZE B	DWG. NO. SN0004	REV D
CAGE CODE: 1HJX9	SCALE: NA	WEIGHT: SHEET 2 OF 4

8 7 6 5 4 3 2 1

D
C
B
A

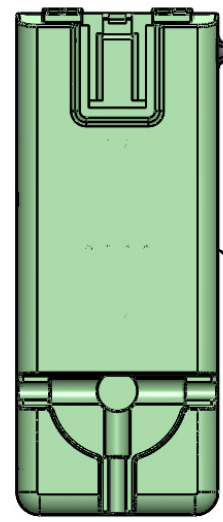
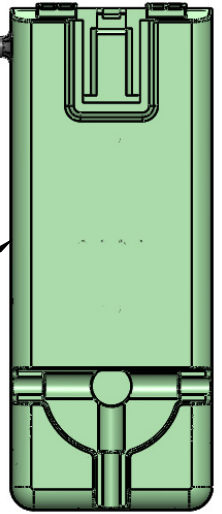
SN0004-X
X = 1, 2, 3 TO DEFINE WIRE EXIT
1 = CENTER EXIT
2 = LEFT EXIT
3 = RIGHT EXIT



6



PN SN0004-2



PN SN0004-3

6

PART NUMBER: SN0004-X-Y

SupplyNet

614 CORPORATE WAY
SUITE 8M
VALLEY COTTAGE, NY 10989

TITLE:

**HOUSING
ASSEMBLY**

PROPRIETARY AND CONFIDENTIAL
THE INFORMATION CONTAINED IN THIS
DRAWING IS THE SOLE PROPERTY OF
SUPPLYNET, INC. ANY REPRODUCTION
IN PART OR AS A WHOLE WITHOUT THE
WRITTEN PERMISSION OF SUPPLYNET INC.
IS PROHIBITED.

SIZE
B

DWG. NO.
SN0004

REV
D

CAGE CODE: 1HJX9

SCALE: NA

WEIGHT:

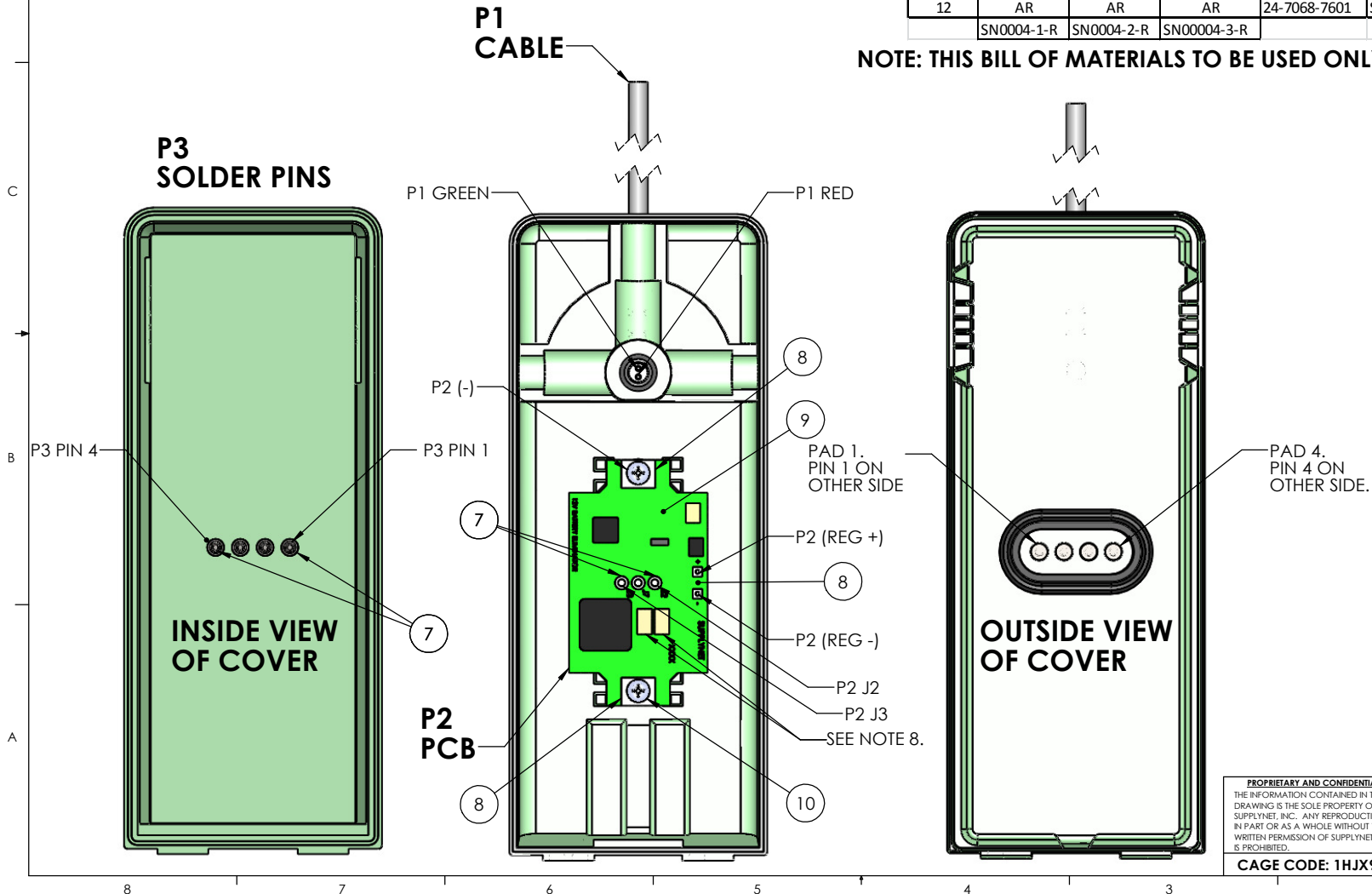
SHEET 3 OF 4

8 7 6 5 4 3 2 1

TABLE 1. (WIRE RUN LIST)		
P1 (CABLE)	P2 (PCB)	P3 (SOLDER PINS)
P1 GREEN	P2 (REG -)	
P2 RED	P2 (REG +)	
	P2 (-)	P3 PIN 4
	P2 J2	P3 PIN 1
	P2 J3	P3 PIN 1

BILL OF MATERIALS						
SN0004 HOUSING ASSEMBLY						
ITEM NO.	QTY PER ASSEMBLY			PART NUMBER	NAME	COMMENTS
9	1	-	-	SN0004-1-N	HOUSING ASSEMBLY	BOTTOM WIRE EXIT
9	-	1	-	SN0004-2-N	HOUSING ASSEMBLY	LEFT SIDE WIRE EXIT
9	-	-	1	SN0004-3-N	HOUSING ASSEMBLY	RIGHT SIDE WIRE EXIT
10	2	2	2	99461A105	SCREWS	McMASTER
11	1	1	1	SN-12VPCB-2	PCB	12 V, 5 AMP OUTPUT. 10-18 VDC INPUT
12	AR	AR	AR	24-7068-7601	SOLDER, LEAD FREE	KESTER
	SN0004-1-R	SN0004-2-R	SN0004-3-R			

NOTE: THIS BILL OF MATERIALS TO BE USED ONLY WITH -R CONFIGURATIONS.



PROPRIETARY AND CONFIDENTIAL
 THE INFORMATION CONTAINED IN THIS DRAWING IS THE SOLE PROPERTY OF SUPPLYNET, INC. ANY REPRODUCTION IN PART OR AS A WHOLE WITHOUT THE WRITTEN PERMISSION OF SUPPLYNET INC. IS PROHIBITED.

PART NUMBER: SN0004-X-Y			
SupplyNet		614 CORPORATE WAY SUITE 8M VALLEY COTTAGE, NY 10989	
TITLE:			
HOUSING ASSEMBLY			
SIZE B	DWG. NO. SN0004	REV D	
CAGE CODE: 1HJX9	SCALE: NA	WEIGHT:	SHEET 4 OF 4