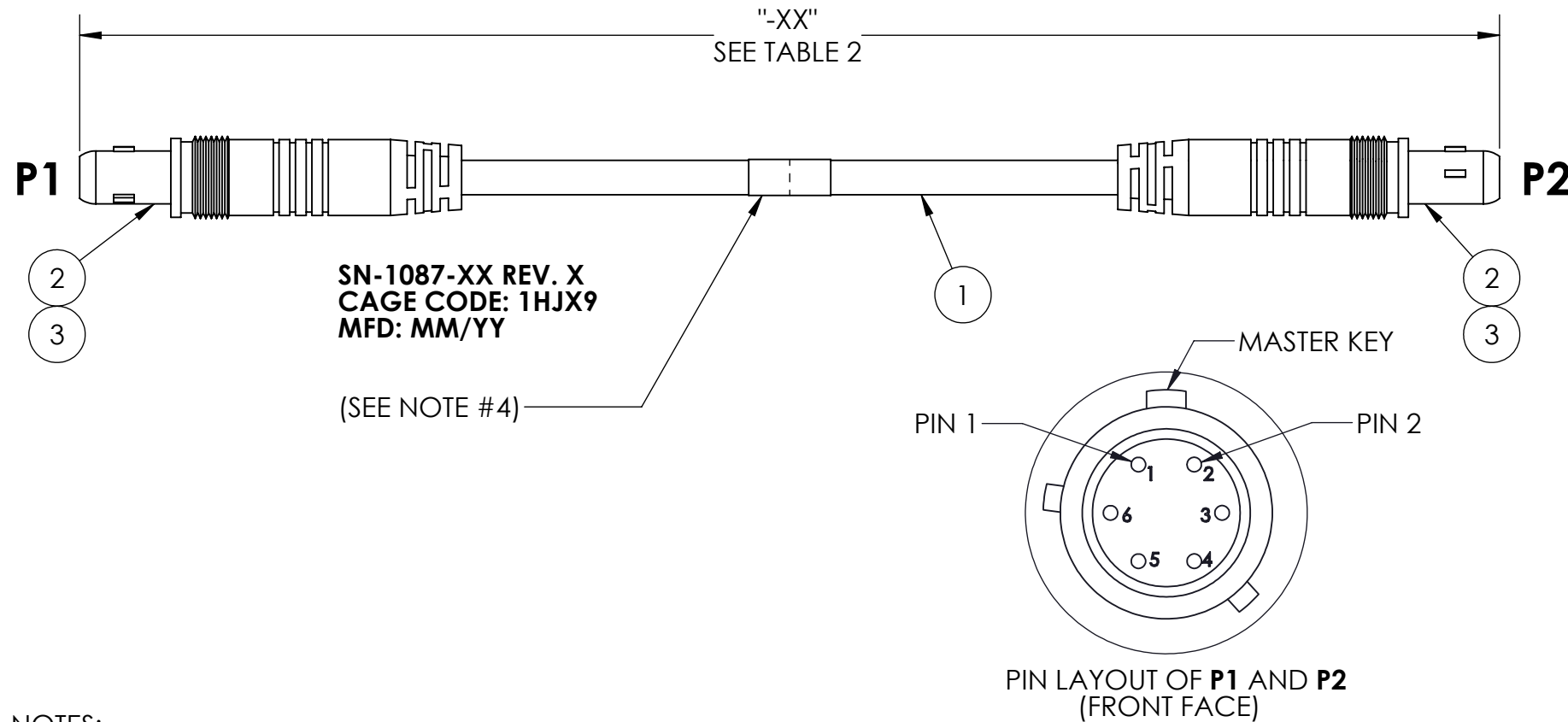


TABLE 1: WIRE RUN LIST		
P1 (ITEM 1)	COLOR	P2 (ITEM 2)
1	RED	1
2	BLACK	2
3	BROWN	3
4	GREEN	4
5	WHITE	5
6	ORANGE	6
SHELL	SHIELD	SHELL

TABLE 2: WIRE LENGTH CHART		
PART NUMBER & PART MARKING	"-XX" DIMENSION (INCHES)	TOLERANCE (INCHES)
SN-1087-0.5	6	+1.0", -0.0"
SN-1087-02	24	+2.0", -0.0"
SN-1087-03	36	+4.0", -0.0"
SN-1087-06	72	+8.0", -0.0"
SN-1087-08	96	+8.0", -0.0"
SN-1087-10	120	+8.0", -0.0"
SN-1087-12	144	+10.0", -0.0"
SN-1087-18	216	+10.0", -0.0"
SN-1087-20	240	+10.0", -0.0"
SN-1087-25	300	+10.0", -0.0"
SN-1087-30	360	+12.0", -0.0"

REV	DATE	DESCRIPTION OF CHANGE	ENG
D	8/15/18	UPDATED ITEM #2 AND ITEM #3, UPDATED TESTING REQUIREMENTS (NOTE #2 AND #3), UPDATED WIRE LENGTH TOLERANCES	LS

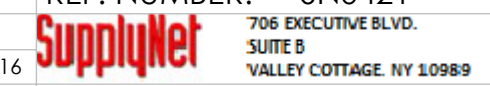


NOTES:

- SOLDERING IAW IPC-J-STD-001 CLASS II AS APPLICABLE.
- CABLE ASSEMBLIES TO BE TESTED 100% FOR CONTINUITY AND SHORTS.
- ALL SOLDERED PINS ARE TO BE TESTED 100% FOR INSULATION RESISTANCE. (150 VDC @100 MOHM MINIMUM) EXCLUDE CHASSIS GROUND FROM THIS TEST.
- PLACE AN ADHESIVE WRAP AROUND LABEL ON EACH COMPLETED ASSEMBLY, WHITE WITH BLACK FONT. SEE DRAWING FOR LABEL PLACEMENT. LABEL MUST INCLUDE THE FOLLOWING INFORMATION:
SN-1087-XX REV. X (-XX AND REV X PER PO)
CAGE CODE: 1HJX9
MFD: MM/YY (MM = MONTH MANUFACTURED, YY = LAST TWO DIGITS OF YEAR MANUFACTURED)
- MANUFACTURE AND INSPECT IAW IPC/WHMA A-620 CLASS 2.
- WIRE PER TABLE 1.
- PLACE COMPLETED ASSEMBLIES IN A CLEAR ZIPPER POLY-BAG.

BILL OF MATERIALS			
ITEM NO.	PART NUMBER	QTY	NAME
1	880007S7	36"	7C COMPOSITE WIRE
2	807-309-06ZNU6-6PY/ 807-801-06ZNU6-6PY	2	CONNECTOR, MALE, GLENAIR, 6 PIN
3	BE-04	2	STEEL BANDING

UNLESS OTHERWISE SPECIFIED:	NAME	DATE	REF. NUMBER: SNO421
DIMENSIONS ARE IN: INCHES	DRAWN	TC	08/08/16
TOLERANCES: .XX: ± 0.03	CHECKED	RJB	08/08/16
.XXX: ± 0.005	COMMENTS:		
ANGULAR: .X°: 1°			
.XX*: 0.5°			
BREAK EDGES: .005 - .020			
FILLET: .005 - .020			
SURFACE FINISH:			
GEOMETRIC TOLERANCING PER: ASME Y14.5-2009	PROPRIETARY AND CONFIDENTIAL THE INFORMATION CONTAINED IN THIS DRAWING IS THE SOLE PROPERTY OF SUPPLYNET, INC. ANY REPRODUCTION IN PART OR AS A WHOLE WITHOUT THE WRITTEN PERMISSION OF SUPPLYNET INC. IS PROHIBITED.		
MATERIAL: SEE DRAWING NOTES	SIZE	DWG. NO.	REV
FINISH: SEE DRAWING NOTES	B	SN-1087-XX	D
DO NOT SCALE DRAWING	CAGE CODE: 1HJX9	SCALE: NA	WEIGHT: SHEET 1 OF 1



NETT WARRIOR CABLE MALE TO MALE